

COMPACT CYLINDERS CXHC2



- CXHC2 is the upgraded product of CXHC. The length difference of the cylinder with the same stroke is 10mm, and the basic size is the same.
- CXHC2 adopts wear-resistant ring, which greatly improves the support and load resistance of the cylinder.
- The piston cover is made of imported well-known brand PU, which ensures wear and pressure resistance.
- Direct installation without any accessories.
- Suit the mold or installation space is limited.
- There are many ways to connect the piston rod (eg:IN,EX,T)

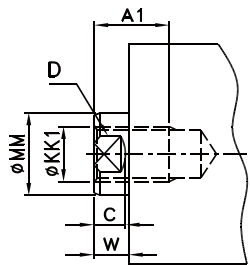
THEORETICAL FORCE

Bore (mm)	Shaft (mm)	Piston pressure area(c m ²)		theoretical force(P=70kgf/c m ²)		theoretical force(P=140kgf/c m ²)	
		Push	Pull	Push	Pull	Push	Pull
20	12	3.1	2	217	140	434	280
25	14	4.9	3.4	343	238	686	476
32	20	8.0	4.9	560	343	1120	686
40	25	12.6	7.7	880	536	1760	1072
50	30	19.6	12.6	1375	880	2750	1760
63	35	31.2	21.65	2182	1508	4343	3016
80	40	50.3	38	3519	2660	7038	5320
100	56	78.5	53.9	5498	3774	10995	7548

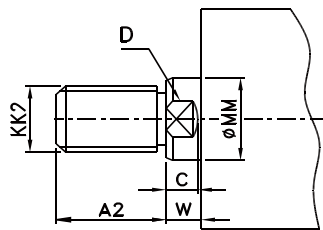
TYPE AND INSTALLATION FORM

Type	Mark	Graphics	Heat resistance	Graphics	Installation form	
					SD basic	LA foot flange
Double acting cylinder	CXHC2-A		CXHC2-A-J			

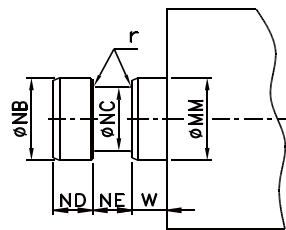
TYPE OF PISTON ROD SHAFT END



IN:Internal thread



EX:External thread



T:T-slot

Symbol	MM	KK1	A1	KK2	A2	NB	NC	ND	NE	r	C	D	W
Bore	20	M8×1.25	10	M8×1.0	15	12	8	12.5	12.5	0.5	7	10	8
	25	M10×1.5	12	M10×1.5	20	14	10	12.5	12.5	0.5	7	13	8
	32	M12×1.75	15	M16×1.5	25	20	15	12.5	12.5	1	9	17	10
	40	M16×2.0	20	M20×1.5	30	25	19	12.5	12.5	1	9	21	10
	50	M20×2.5	24	M24×1.5	35	30	23	12.5	12.5	1	10	27	11
	63	M27×3.0	33	M30×1.5	45	35	25	15	15	1	11	32	13
	80	M30×3.5	33	M36×1.5	55	40	26	15	15	2	14	37	17
	100	M36×4.0	40	M48×1.5	70	56	38	20	20	2	15	50	17

SEAL MATERIAL

Material Symbol	(NBR)	(PU)	(FPM)
Oil	1	2	3
Mineral	○	○	○
water solution	○	×	○
Soluble	○	×	○
phosphate ester	×	×	○
Temperature	-10°C~+80°C		-10°C~+200°C
Viscosity	20~400mm ² /s { cst }		

▲ Note:

- 1、mineral oil : ISO-VG32 °
- 2、If mineral oil is used, there is no need to mark it. Our company will provide standard oil seal (NBR).
- 3、If phosphate ester oil is used or high temperature is applied, will shown as symbol 3.
- 4、symbol O = ok, × = cannot be used.
- 5、Temperature of FPM must set below 150°C when operate long time.

PRODUCT STANDARD STROKE

		CXHC2-SD							
Stroke Bore		10	15	20	25	30	40	50	60
32		⊙	⊙	⊙	⊙	⊙	⊙	⊙	⊙
40		⊙	⊙	⊙	⊙	⊙	⊙	⊙	⊙
50		⊙	⊙	⊙	⊙	⊙	⊙	⊙	⊙
63		⊙	⊙	⊙	⊙	⊙	⊙	⊙	⊙

		CXHC2-LA							
Stroke Bore		10	15	20	25	30	40	50	60
32		⊙	⊙	⊙	⊙	⊙	⊙	⊙	⊙
40		⊙	⊙	⊙	⊙	⊙	⊙	⊙	⊙
50		⊙	⊙	⊙	⊙	⊙	⊙	⊙	⊙
63		⊙	⊙	⊙	⊙	⊙	⊙	⊙	⊙

Note :

1. ⊙ (Indicate R order): Indicates that all parts are in stock.
○ (Indicate S order): Indicates that the parts are in stock.
△ : Indicates that it will be produced by order.
2. R order: (1) The fastest delivery time, guaranteed to be shipped within 7 days.
(2) All part sizes are fully in accordance with the catalog.
3. S order: All part sizes are fully in accordance with the catalog, but the stroke is over the R order.
4. N order: (1) Indicates that delivery time is second to R order, guaranteed to be shipped within 10 days.
(2): Except for the difference of shaft length and shaft tooth size, all other parts are the same as R order.
5. V order: The part sizes are not in accordance with the catalog.

Tie-rod
Hydraulic
Cylinder

Mold
Hydraulic
Cylinders

Swivel &
Clamp
Hydraulic
Cylinders

Booster
Cylinders
&
Unclamping
cylinders

ISO
Specifications
Cylinders

Round
Hydraulic
Cylinders

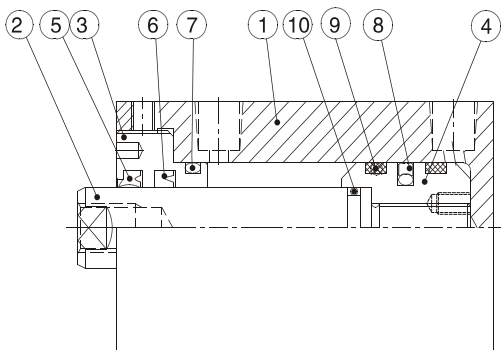
Specific
Hydraulic
Cylinders

Systems
&
Fittings

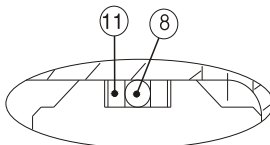
INTERNAL STRUCTURE AND PART NAMES

CXHC2-SD/LA(bore20-100)

- Bore: 32 ~ 100



- Bore: 20~ 25



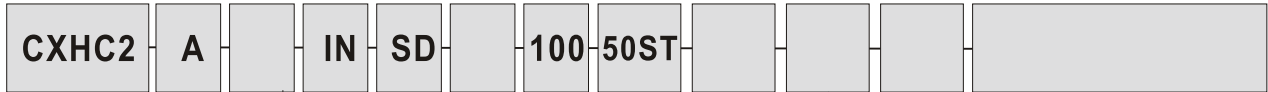
item	part name	qty	item	part name	qty	item	part name	qty
①	tube	1	⑥	rod cover seal	1	⑪	piston backing ring	2
②	rod	1	⑦	rod cover O-ring	1			
③	rod cover	1	⑧	piston seal	1			
④	piston	1	⑨	wear ring	2			
⑤	rod cover dust seal	1	⑩	piston O-ring	1			

SEAL SPEC.

Item	⑤	⑥	⑦	⑧	⑩	⑫
Name	rod cover dust seal (PU)	rod cover seal (PU)	rod cover O-ring (IA)	piston seal (PU)	piston O ring	piston backing ring(PTFE)
qty	1	1	1	1	2	2
Bore						
20	12X20X6	P12+BUR	P24	P16	P9	P16
25	14X22X6	14X22X5	P28	P21	P10A	P21
32	20X28X6	20X28X5	G25	32×21×4.2	P16	—
40	25X33X6	25X33X5	G35	40×29×4.2	P21	—
50	30X38X6.5	30X40X6	G45	50×39×4.2	G25	—
63	35X43X6.5	35X45X6	G58	63×52×4.2	G30	—
80	40X48X6.5	40X50X6	G75	80×69×4.2	G35	—
100	56X64X6.5	56X66X6	G95	100×84.5×6.3	G50	—

Note:1.The above form is the reference specification.

ORDER INDICATION



Type
 A: Double acting cylinder
 C: Double rod cylinder
 D: Double rods cylinder with stroke alignment
 MF: Manifold block cylinder

Performance
 blank = indicates standard
 J: heat/acid & alkali resistance (max. tem. 200 °C)

Shaft
 IN : Internal thread
 EX: external thread
 T:T-slot

Installation
 SD: basic(Through-hole installation)
 SA: basic(Threaded installation)
 LA: foot flange(bore: 32, 40, 50, 63, 80, 100)

Oil intake type(only manifold block)
 FC : Front-end oil intake
 RC : Back-end oil intake

Bore(mm)
 20, 25, 32, 40, 50, 63, 80, 100

pilot check valve
 Refer to Page X

flow regulator
 Refer to Page X

seal material
 blank = indicates standard(PU)
 2: NBR
 3: FPM

● flow regulator

Standard	Install position	Order indication	Qty	Bore
KC	FC	KC-02	x1	φ 32~φ 63
	RC	KC-03	x1	φ 80~φ 100
	FC/RC	KC-04	x1	φ 125

● pilot check valve

Standard	Install position	Order indication	Qty	Bore
PCVI	FC	PCVI-03	x1	φ 32~φ 100
	RC	PCVI-03T	x1	φ 125~φ 200
	FC/RC	PCV-03T	x1	φ 125~φ 200

Note: (pilot check valve)
 1. The selected standards are matched according to the size of the bore, and no need to indicated.
 2. Install position need to indicated.

stroke alignment
 ▲ Note: Only double rods cylinder with stroke alignment

Stroke (mm)
 Refer to stroke form Page X

Tie-rod Hydraulic Cylinder

Mold Hydraulic Cylinders

Swivel & Clamp Hydraulic Cylinders

Booster Cylinders & Unclamping cylinders

ISO Specifications Cylinders

Round Hydraulic Cylinders

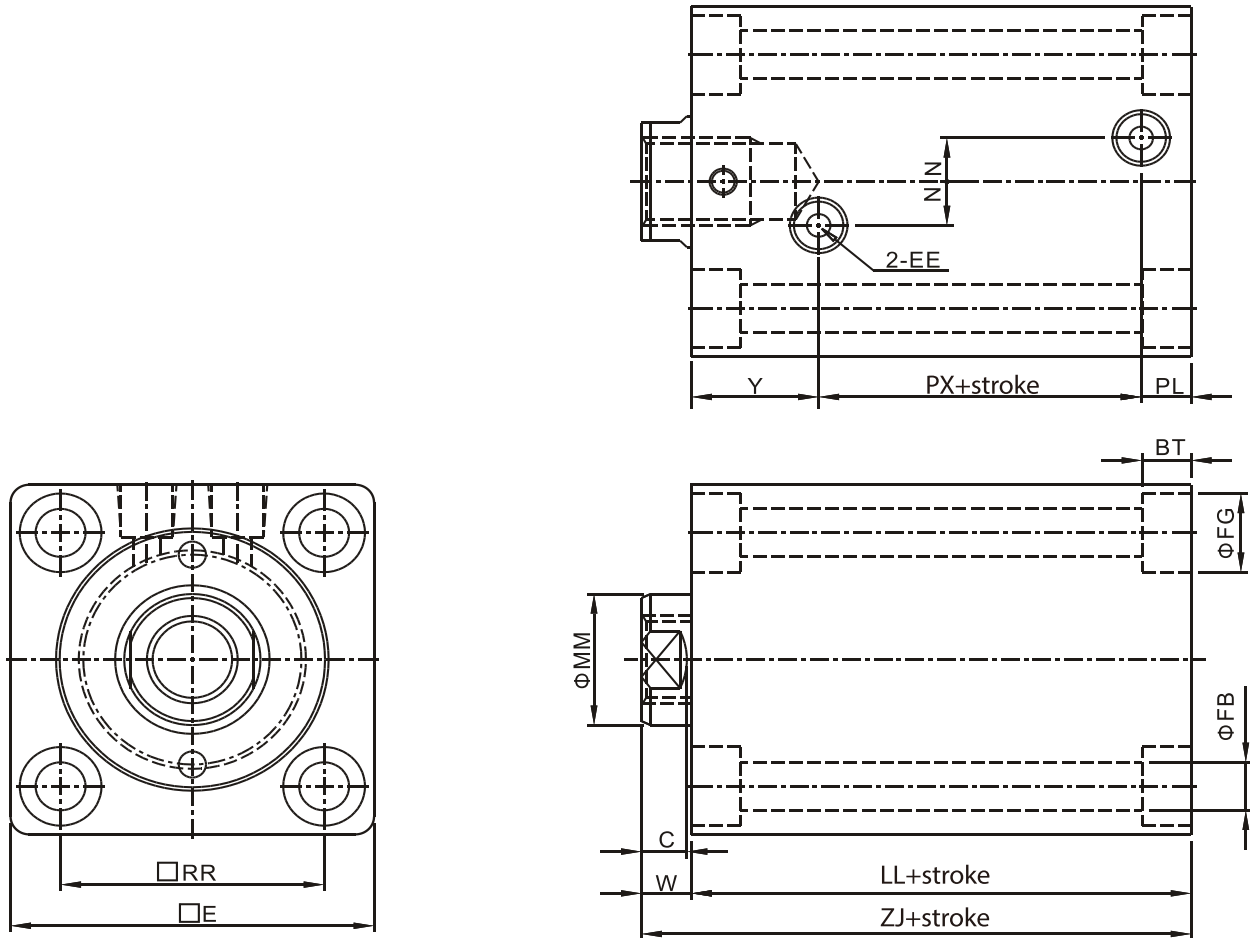
Specific Hydraulic Cylinders

Systems & Fittings

▲ blank = standard, there is no need to indicate when ordering.

EXTERNAL DIMENSIONS

- CXHC2-A-SD double acting, basic(Through-hole installation)



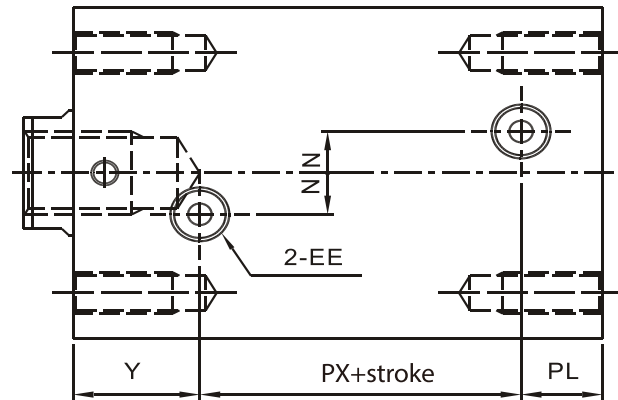
Symbol Bore	stroke range	MM	W	EE	Y	PX	PL	FB	FG	BT	RR	E	LL	ZJ	N
20	≤40	12	8	RC1/8	20.5	10.5	12	5.5	9	5.4	30	45	43	51	-
25	≤40	14	8	RC1/8	20.5	12.5	12	5.5	9	5.4	36	50	45	53	-
32	≤80	20	10	RC1/4	27	26.5	10.5	7	11	6.5	47	62	64	74	10
40	≤110	25	10	RC1/4	27	27	11	9	14	8.6	52	70	65	75	10
50	≤150	30	11	RC1/4	28	31	11	11	18	10.8	58	80	70	81	10
63	≤150	35	13	RC1/4	30	36	14	14	20	13	69	94	80	93	10
80	≤150	40	17	RC3/8	35	38	18	16	23	15	86	114	91	108	15
100	≤150	56	17	RC3/8	39	38	21	18	26	17.5	102	134	98	115	15

Note: 1. IN/EX/T size refer to P081 piston rod shaft end form.

2. Exceed the above specifications, please contact our business department.

EXTERNAL DIMENSIONS

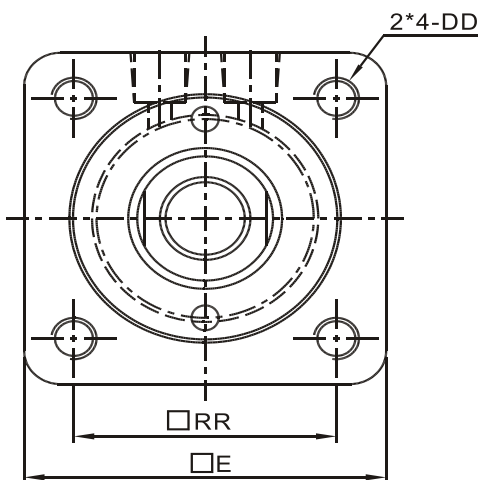
- CXHC2-A-SA double acting, basic(Threaded installation)



Tie-rod Hydraulic Cylinder

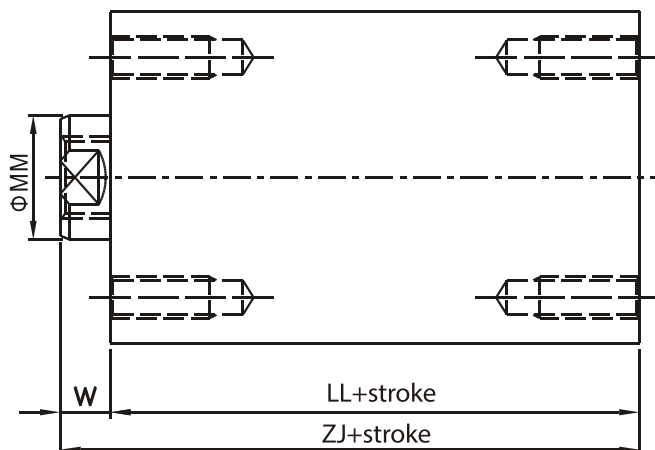
Mold Hydraulic Cylinders

Swivel & Clamp Hydraulic Cylinders



Booster Cylinders & Unclamping cylinders

ISO Specifications Cylinders



Round Hydraulic Cylinders

Specific Hydraulic Cylinders

Symbol Bore	stroke range	MM	W	EE	Y	PX	PL	RR	E	LL	ZJ	DD	N
32	81-200	20	10	RC1/4	27	26.5	16.5	47	62	70	80	M6x1.0deep15	10
40	111-200	25	10	RC1/4	27	27	17	52	70	71	81	M8x1.25deep18	10
50	151-250	30	11	RC1/4	28	31	18	58	80	77	88	M10x1.5deep22	10
63	151-250	35	13	RC1/4	30	36	21	69	94	87	100	M12x1.75deep26	10
80	151-250	40	17	RC3/8	35	38	28	86	114	101	118	M14x2.0deep30	15
100	151-250	56	17	RC3/8	39	38	31	102	134	108	125	M16x2.0deep35	15

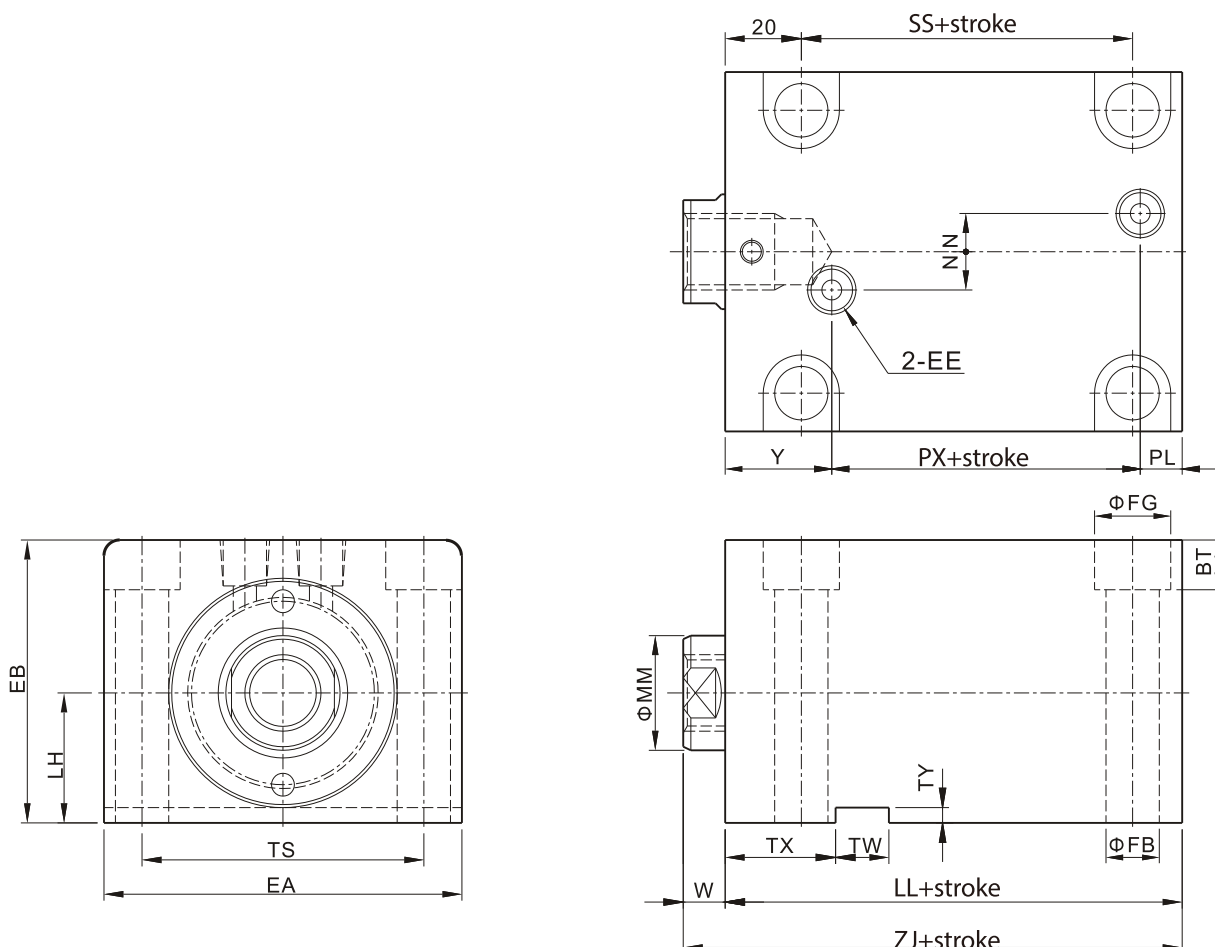
Note:1.IN/EX/T size refer to P081 piston rod shaft end form.

2.Exceed the above specifications, please contact our business department.

Systems & Fittings

EXTERNAL DIMENSIONS

- CXHC2-A-LA double acting, foot flange



Symbol Bore	MM	LH	EB	TS	EA	EE	FB	FG	BT	N	Y	PX	TX	TW	SS	W	TY
32	20	25	56	56	70	RC1/4	9	14	8.6	10	27	26.5	28	12	34	10	4
40	25	29	64	62	80	RC1/4	11	18	10.8	10	27	27	28	12	33	10	4
50	30	34	74	74	94	RC1/4	14	20	13	10	28	31	29	14	37	11	4
63	35	42	89	90	114	RC1/4	16	23	15.2	10	30	36	31	16	42	13	4
80	40	52	109	110	134	RC3/8	16	23	15.2	15	35	38	34	16	51	17	4
100	56	62	129	134	160	RC3/8	18	26	17	15	39	38	34	16	54	17	5

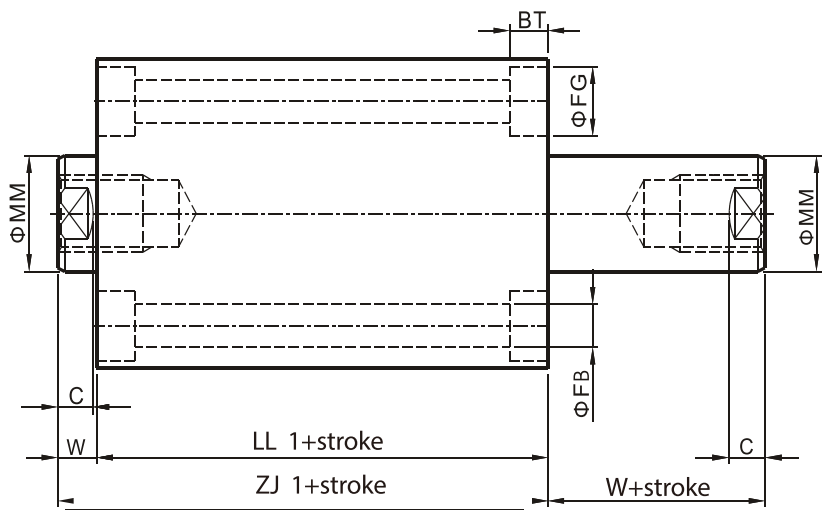
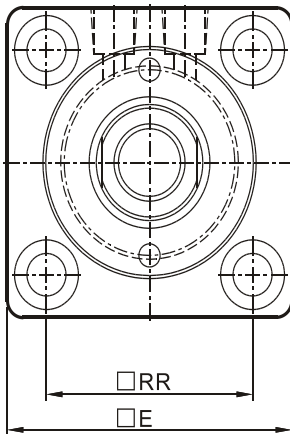
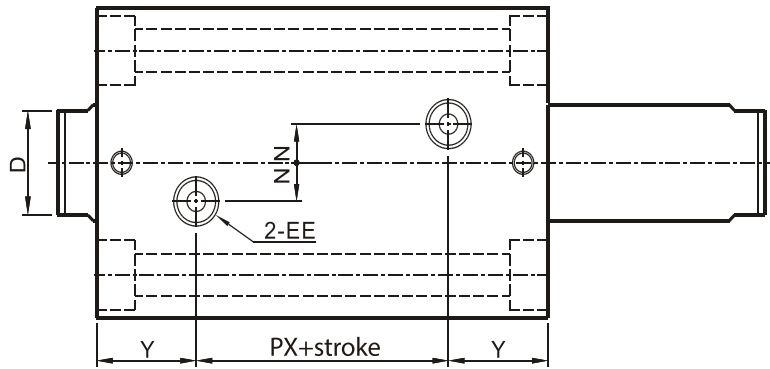
Symbol Bore	stroke range	PL	LL	ZJ
32	≤ 80	10.5	64	74
40	≤ 110	11	65	75
50	≤ 150	11	70	81
63	≤ 150	14	80	93
80	≤ 150	18	91	108
100	≤ 150	21	98	115

Symbol Bore	stroke range	PL	LL	ZJ
32	81-200	16.5	70	80
40	111-200	17	71	81
50	151-250	18	77	88
63	151-250	21	87	100
80	151-250	28	101	118
100	151-250	31	108	125

Note:1. When the stroke is less than 10mm (excluding), do not process the keyway (cancel the size TX, TW, TY)
 2. IN/EX/T size refer to P081 type of piston rod shaft end.
 3. Exceed the above specifications, please contact our business department.

EXTERNAL DIMENSIONS

- CXHC2-C-SD double rod, basic



Symbol Bore	Symbol														
	MM	W	RR	E	FB	FG	BT	EE	Y	PX	N	D	C	Z J1	LL 1
20	12	8	30	45	5.5	9	5.4	RC1/8	20.5	13	-	10	7	62	54
25	14	8	36	50	5.5	9	5.4	RC1/8	20.5	15	-	13	7	64	56
32	20	10	47	62	7	11	6.5	RC1/4	27	25	10	17	9	89	79
40	25	10	52	70	9	14	8.6	RC1/4	27	27	10	21	9	91	81
50	30	11	58	80	11	18	10.8	RC1/4	28	31	10	27	10	98	87
63	35	13	69	94	14	20	13	RC1/4	30	33	10	32	11	106	93
80	40	17	86	114	16	23	15	RC3/8	35	35	15	37	13	122	105
100	56	17	102	134	18	26	17.5	RC3/8	39	38	15	50	15	133	116

Note : 1.IN/EX/T size refer to P081 type of piston rod shaft end.

2. When the stroke is long, it is recommended that the installation holes be changed to thread installation.

3. Refer to P086 the thread size of CXHC2-A-SA double acting basis (thread installation) .

Tie-rod Hydraulic Cylinder

Mold Hydraulic Cylinders

Swivel & Clamp Hydraulic Cylinders

Booster Cylinders & Unclamping cylinders

ISO Specifications Cylinders

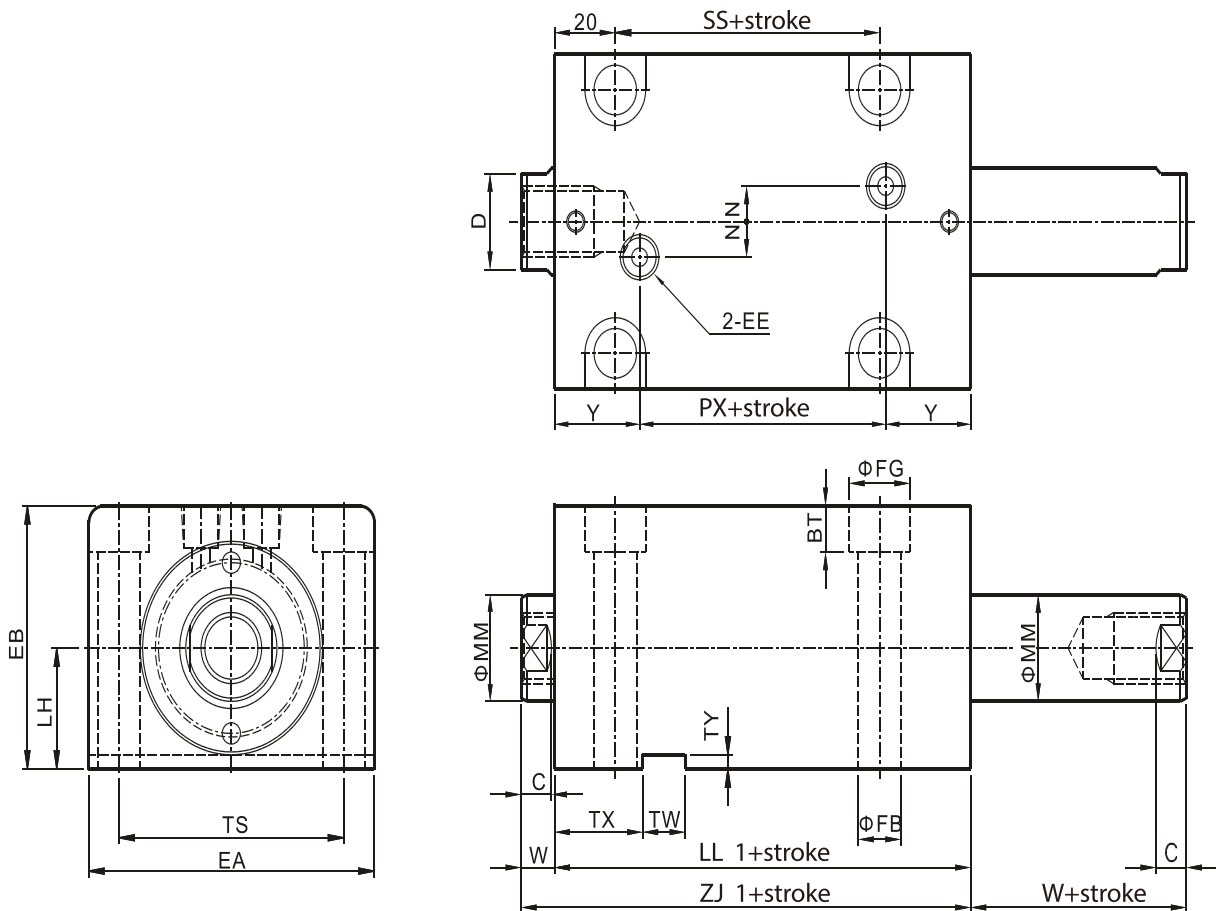
Round Hydraulic Cylinders

Specific Hydraulic Cylinders

Systems & Fittings

EXTERNAL DIMENSIONS

- CXHC2-C-LA double rod, foot flange



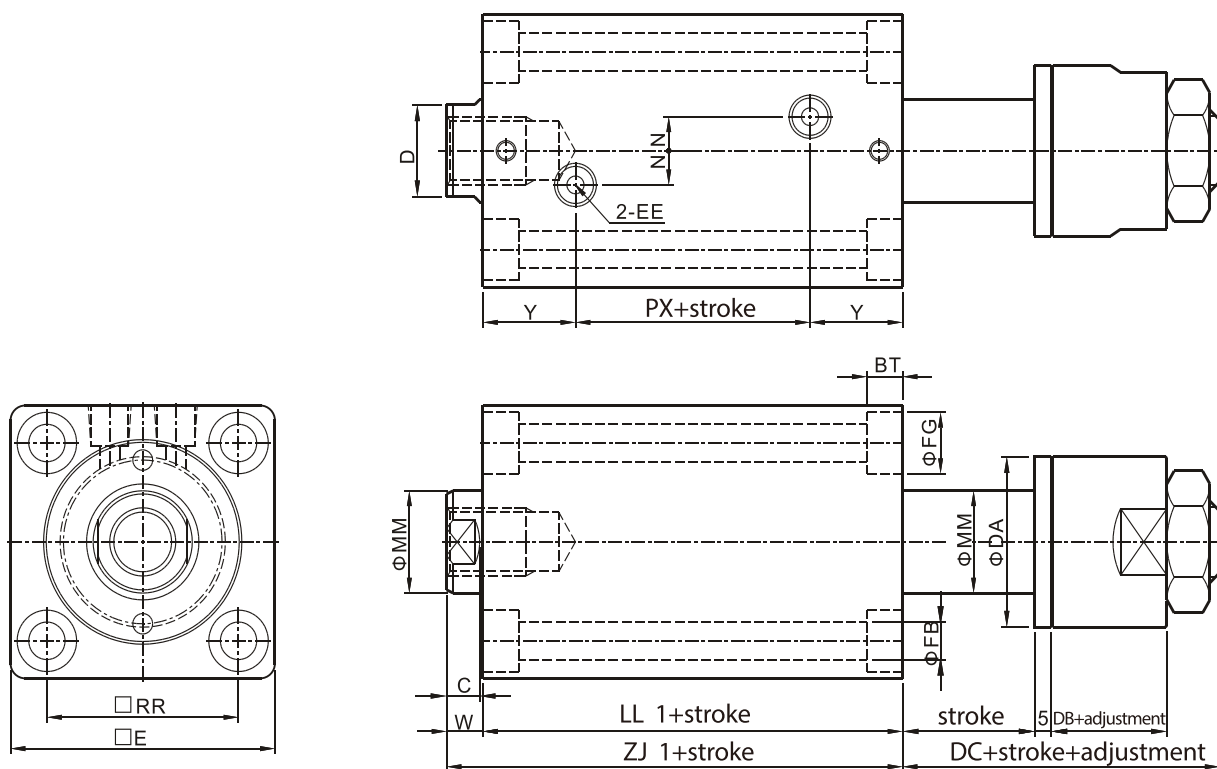
Symbol Bore	MM	W	LH	EB	TS	EA	Y	N	PX	EE	TX	TW	LL1	ZJ1	D	C	FB	FG	BT	SS	TY
32	20	10	25	56	56	70	27	10	25	RC1/4	28	12	79	89	17	9	9	14	8.6	34	4
40	25	10	29	64	62	80	27	10	27	RC1/4	28	12	81	91	21	9	11	18	10.8	33	4
50	30	11	34	74	74	94	28	10	31	RC1/4	29	14	87	98	27	10	14	20	13	37	4
63	35	13	42	89	90	114	30	10	33	RC1/4	31	16	93	106	32	11	16	23	15.2	42	4
80	40	17	52	109	110	134	35	15	35	RC3/8	34	16	105	122	37	13	16	23	15.2	51	4
100	56	17	62	129	134	160	39	15	38	RC3/8	34	16	116	133	50	15	18	26	17	54	5

Note:1. When the stroke is less than 10mm (excluding), do not process the keyway (cancel the size TX,TW,TY)

2. IN/EX/T size refer to P081 type of piston rod shaft end.

EXTERNAL DIMENSIONS

- CXHC2-D-SD Double rods with stroke adjustment, basis



Tie-rod Hydraulic Cylinder

Mold Hydraulic Cylinders

Swivel & Clamp Hydraulic Cylinders

Booster Cylinders & Unclamping cylinders

ISO Specifications Cylinders

Round Hydraulic Cylinders

Specific Hydraulic Cylinders

Systems & Fittings

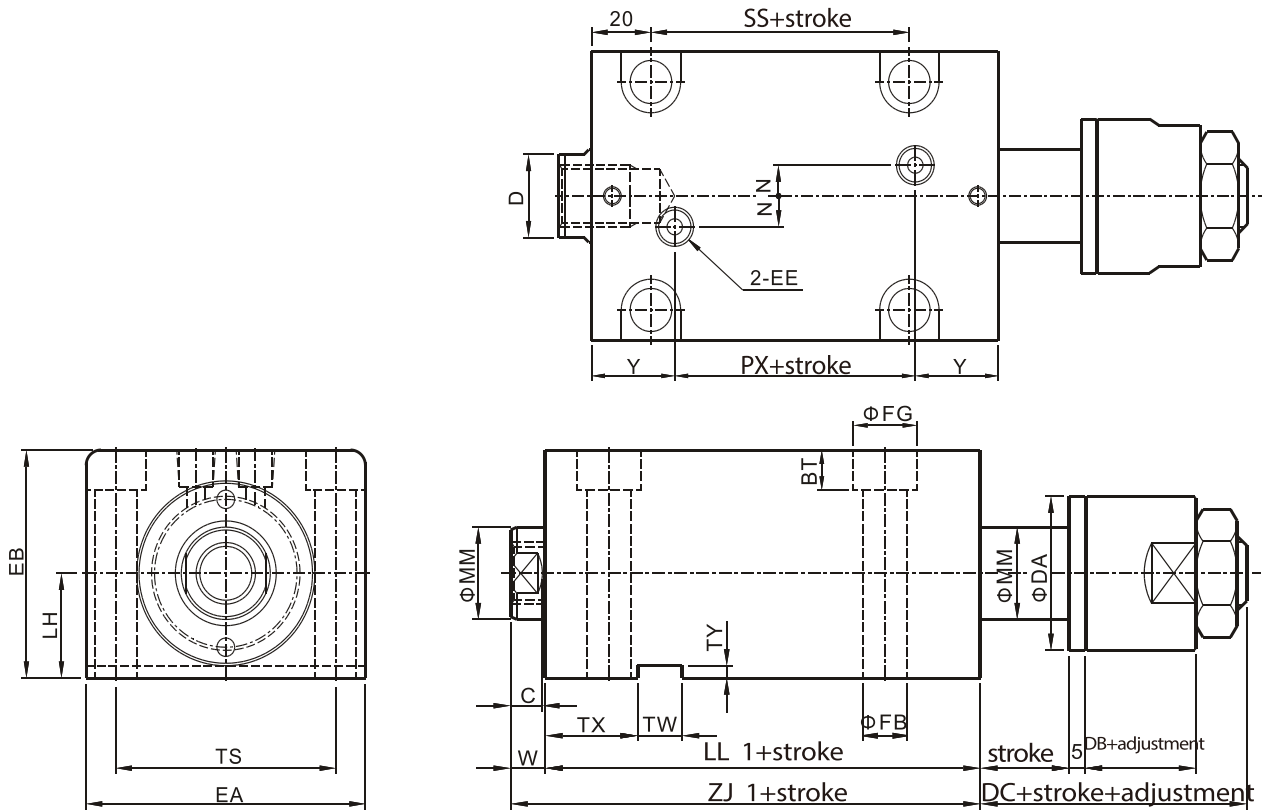
Symbol Bore	MM	W	RR	E	FB	FG	BT	EE	Y	N	PX	D	C	DC	DA	DB	ZJ1	LL1
20	12	8	30	45	5.5	9	5.4	RC1/8	20.5	-	13	10	7	24.5	20	11	62	54
25	14	8	36	50	5.5	9	5.4	RC1/8	20.5	-	15	13	7	28	25	13	64	56
32	20	10	47	62	7	11	6.5	RC1/4	27	10	25	17	9	32	38	15	89	79
40	25	10	52	70	9	14	8.6	RC1/4	27	10	27	21	9	38	44	20	91	81
50	30	11	58	80	11	18	10.8	RC1/4	28	10	31	27	10	40	50	20	98	87
63	35	13	69	94	14	20	13	RC1/4	30	10	33	32	11	44	55	20	106	93
80	40	17	86	114	16	23	15	RC3/8	35	15	35	37	13	45	60	20	122	105
100	56	17	102	134	18	26	17.5	RC3/8	39	15	38	50	15	55	80	30	133	116

note : 1.IN/EX/T size refer to P081 type of piston rod shaft end.

- When the stroke is long, it is recommended that the installation holes be changed to thread installation. Refer to P086 the thread size of CXHC2-A-SA double acting basis (thread installation).

EXTERNAL DIMENSIONS

- CXHC2-D-LA Double rods cylinder with stroke adjustment-foot flange



Symbol Bore	MM	W	LH	EB	TS	EA	Y	N	PX	EE	TX	TW	LL1	ZJ1
32	20	10	25	56	56	70	27	10	25	RC1/4	28	12	79	89
40	25	10	29	64	62	80	27	10	27	RC1/4	28	12	81	91
50	30	11	34	74	74	94	28	10	31	RC1/4	29	14	87	98
63	35	13	42	89	90	114	30	10	33	RC1/4	31	16	93	106
80	40	17	52	109	110	134	35	15	35	RC3/8	34	16	105	122
100	56	17	62	129	134	160	39	15	38	RC3/8	34	16	116	133

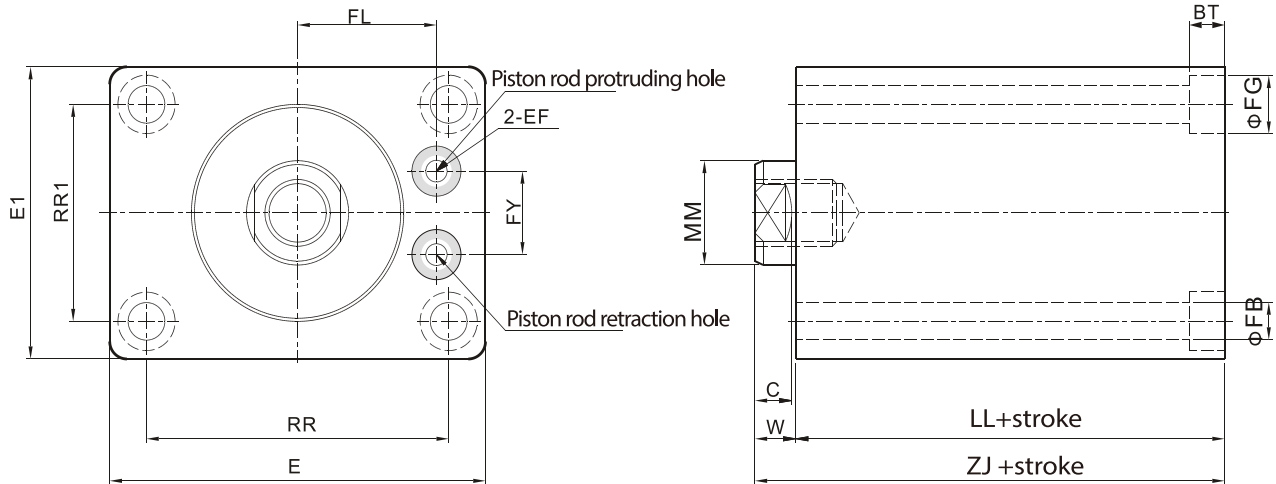
Symbol Bore	D	C	FB	FG	BT	DA	DB	DC	SS	TY
32	17	9	9	14	8.6	38	15	32	34	4
40	21	9	11	18	10.8	44	20	38	33	4
50	27	10	14	20	13	50	20	40	37	4
63	32	11	16	23	15.2	55	20	44	42	4
80	37	13	16	23	15.2	60	20	45	51	4
100	50	15	18	26	17	80	30	55	54	5

Note:1. When the stroke is less than 10mm (excluding), do not process the keyway (cancel the size TX, TW, TY)

2. IN/EX/T size refer to P081 type of piston rod shaft end.

EXTERNAL DIMENSIONS

- CXHC2-MF-SD rod manifold block basic (through-hole installation)



O-ring spec.

Bore	Spec.
20	P5
25	P7
32~40	P9
50~80	P11

Symbol Bore	stroke range	MM	W	RR	E	RR1	E1	FB	FG	EF	LL	ZJ	FL	FY	BT
20	≤40	12	8	48	62	34	48	5.5	9	Φ8×1.4DPbottom holeΦ3	43	51	22	11	5.4
25	≤40	14	8	58	72	38	52	5.5	9	Φ10×1.4DPbottom holeΦ4	45	53	26	13	5.4
32	≤80	20	10	73	88	49	64	7	11	Φ12×1.4DPbottom holeΦ5.2	64	74	32	20	6.5
40	≤110	25	10	74	92	52	70	9	14	Φ12×1.4DPbottom holeΦ5.2	65	75	34	20	8.6
50	≤150	30	11	84	106	59	81	11	18	Φ15×1.8DPbottom holeΦ6	70	81	39.5	20	10.8
63	≤150	35	13	91	116	69	94	14	20	Φ15×1.8DPbottom holeΦ6	80	93	44.5	26	13
80	≤150	40	17	104	132	86	114	16	23	Φ15×1.8DPbottom holeΦ6	91	108	54.5	40	15

Note : 1.IN/EX/T size refer to P081 type of piston rod shaft end.
2.Exceed the above specifications, please contact our business department.

Tie-rod
Hydraulic
Cylinder

Mold
Hydraulic
Cylinders

Swivel &
Clamp
Hydraulic
Cylinders

Booster
Cylinders
&
Unclamping
cylinders

ISO
Specifications
Cylinders

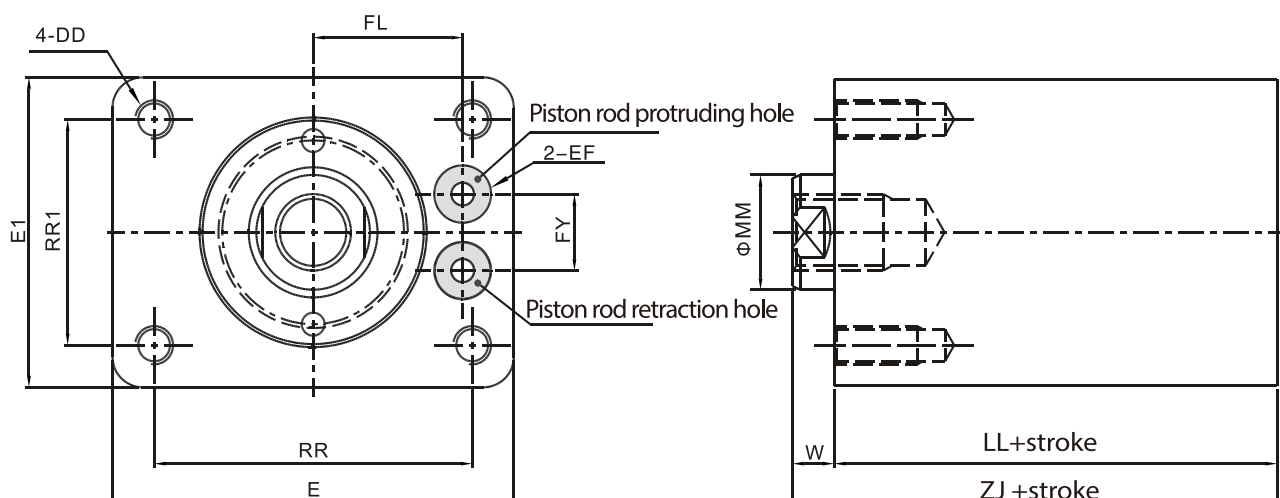
Round
Hydraulic
Cylinders

Specific
Hydraulic
Cylinders

Systems
&
Fittings

EXTERNAL DIMENSIONS

- CXHC2-MF-FC-SA rod manifold block basic (thread installation)



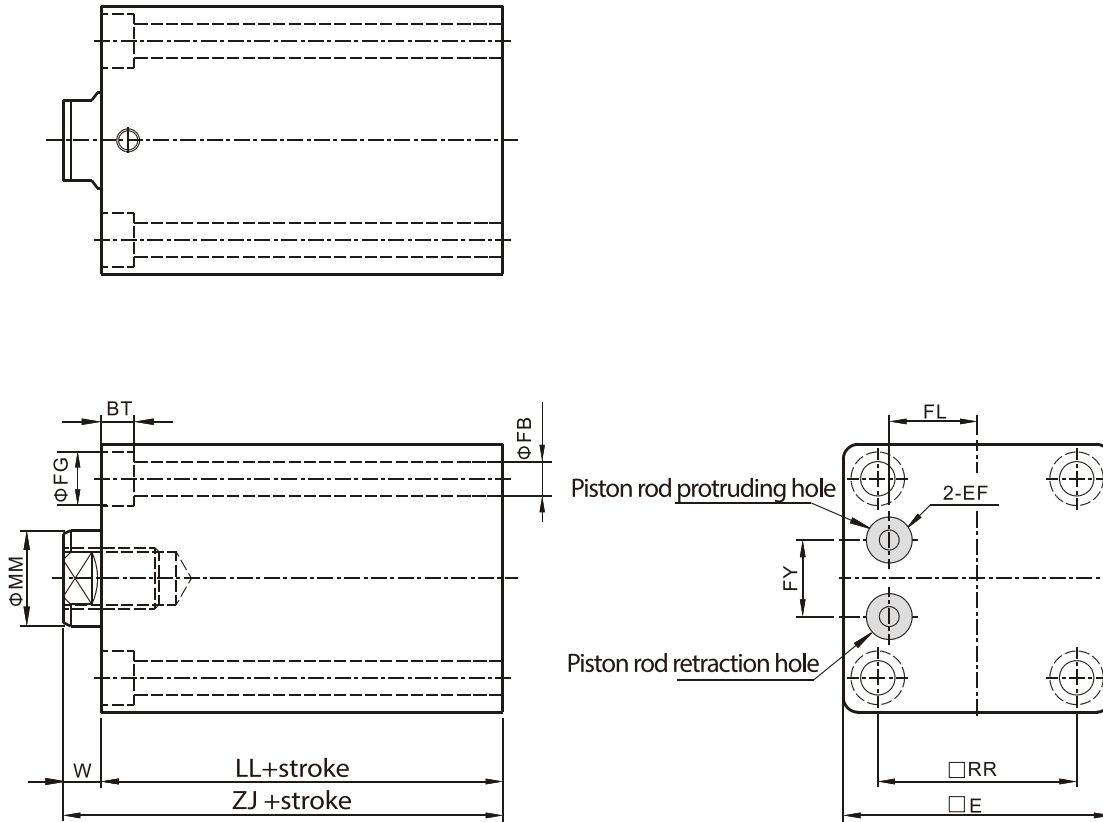
Symbol Bore	stroke range	MM	W	RR	E	RR1	E1	EF	LL	ZJ	FL	FY	DD
32	81-200	20	10	73	88	49	64	Φ12×1.4DPbottom holeΦ5.2	70	80	32	20	M6×1.0deep15
40	111-200	25	10	74	92	52	70	Φ12×1.4DPbottom holeΦ5.2	71	81	34	20	M8×1.25deep18
50	151-250	30	11	84	106	59	81	Φ15×1.8DPbottom holeΦ6	77	88	39.5	20	M10×1.5deep22
63	151-250	35	13	91	116	69	94	Φ15×1.8DPbottom holeΦ6	87	100	44.5	26	M12×1.75deep26
80	151-250	40	17	104	132	86	114	Φ15×1.8DPbottom holeΦ6	101	118	54.5	40	M14×2.0deep30

Note:1.IN/EX/T size refer to P081 type of piston rod shaft end.

2.Exceed the above specifications, please contact our business department.

EXTERNAL DIMENSIONS

- CXHC2-MF-RC-SD head manifold block basic (through-hole installation)



Symbol Bore	stroke range	MM	W	RR	E	EF	FL	FY	FB	FG	BT	LL	ZJ
20	≤40	12	8	30	45	Φ8×1.4DPbottom holeΦ3	13.5	11	5.5	9	5.4	43	51
25	≤40	14	8	36	50	Φ10×1.4DPbottom holeΦ4	16	13	5.5	9	5.4	45	53
32	≤80	20	10	47	62	Φ12×1.4DPbottom holeΦ5.2	20	20	7	11	6.5	64	74
40	≤110	25	10	52	70	Φ12×1.4DPbottom holeΦ5.2	23	20	9	14	8.6	65	75
50	≤150	30	11	58	80	Φ15×1.8DPbottom holeΦ6	29	20	11	18	10.8	70	81
63	≤150	35	13	69	94	Φ12×1.4DPbottom holeΦ5.2	38	26	14	20	13	80	93
80	≤150	40	17	86	114	Φ15×1.8DPbottom holeΦ6	44	40	16	23	15	91	108
100	≤150	56	17	102	134	Φ15×1.8DPbottom holeΦ6	54	40	18	26	17.5	98	115

O-ring spec.

Bore	Spec.
φ20	P5
φ25	P7
φ32	P9
φ40	P9
φ50	P11
φ63	P 9
φ80	P 11
φ100	P11

Note:1.IN/EX/T size refer to P081 type of piston rod shaft end.
2.Exceed the above specifications, please contact our business department.

Tie-rod
Hydraulic
Cylinder

Mold
Hydraulic
Cylinders

Swivel &
Clamp
Hydraulic
Cylinders

Booster
Cylinders
&
Unclamping
cylinders

ISO
Specifications
Cylinders

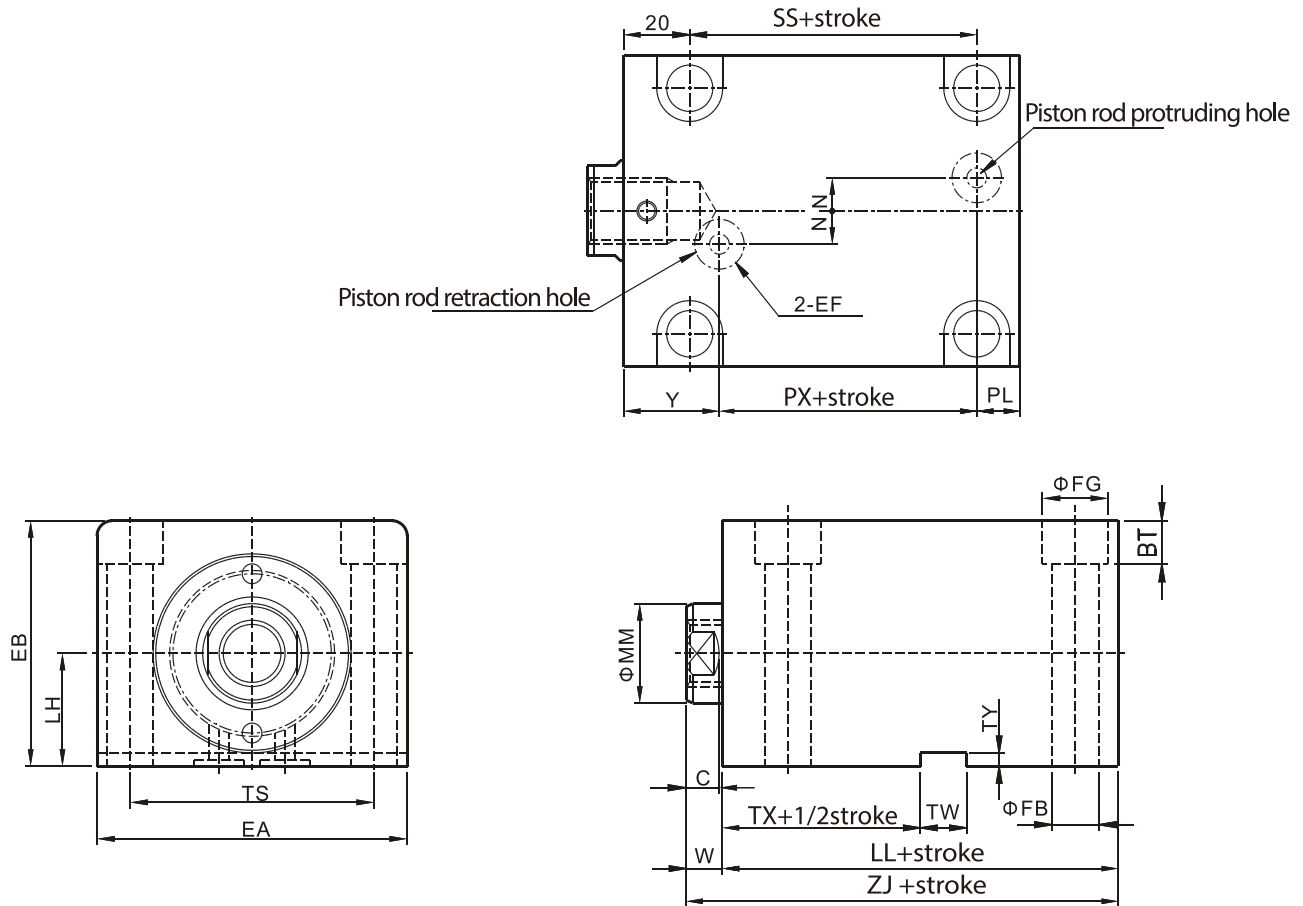
Round
Hydraulic
Cylinders

Specific
Hydraulic
Cylinders

Systems
&
Fittings

EXTERNAL DIMENSIONS

- CXHC2-MF-RC-LA manifold block, foot flange



Symbol Bore	MM	W	Y	LH	EB	TS	EA	N	EF	SS	TX	TW	BT	FG	FB	PX	TY
32	20	10	28.5	25	56	56	70	10	Φ12×1.4DPbottom holeΦ5.2	34	32	12	8.6	14	9	24	4
40	25	10	28	29	64	62	80	10	Φ12×1.4DPbottom holeΦ5.2	33	33	12	10.8	18	11	25	4
50	30	11	29	34	74	74	94	10	Φ15×1.8DPbottom holeΦ6	37	35	14	13	20	14	28	4
63	35	13	33	42	89	90	114	10	Φ15×1.8DPbottom holeΦ6	42	39	16	15.2	23	16	30	4
80	40	17	35	52	109	110	134	15	Φ15×1.8DPbottom holeΦ6	51	41	16	15.2	23	16	38	4
100	56	17	39	62	129	134	160	15	Φ15×1.8DPbottom holeΦ6	54	45	16	17	26	18	38	5

Symbol Bore	stroke range	PL	LL	ZJ	Symbol Bore	stroke range	PL	LL	ZJ
32	≤80	11.5	64	74	32	81-200	17.5	70	80
40	≤110	12	65	75	40	111-200	18	71	81
50	≤150	13	70	81	50	151-250	20	77	88
63	≤150	17	80	93	63	151-250	24	87	100
80	≤150	18	91	108	80	151-250	28	101	118
100	≤150	21	98	115	100	-	-	-	-

O-ring spec.

Bore	Spec.
Φ32	P9
Φ40	P9
Φ50	P11
Φ63	P11
Φ80	P11
Φ100	P11

Note:1.When the stroke is less than 10mm (excluding), do not process the keyway (cancel the size TX,TW,TY)

2.IN/EX/T size refer to P081 type of piston rod shaft end.

3.Exceed the above specifications, please contact our business department.