

JABP AIR BOOSTER PUMP



- The booster pump is driven by the air pressure source, and the boosted hydraulic pressure is output as the pressure source of the cylinder
- Adjust the pressure with the air pressure regulating valve, and stop driving when the pressure is reached
- When the pressure reduce, the pump will automatically compensate. Suitable for clamping occasions

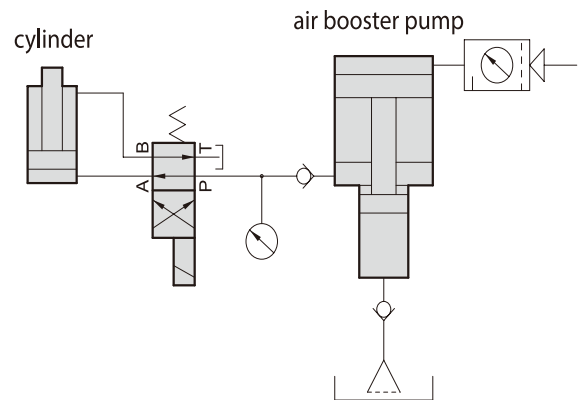
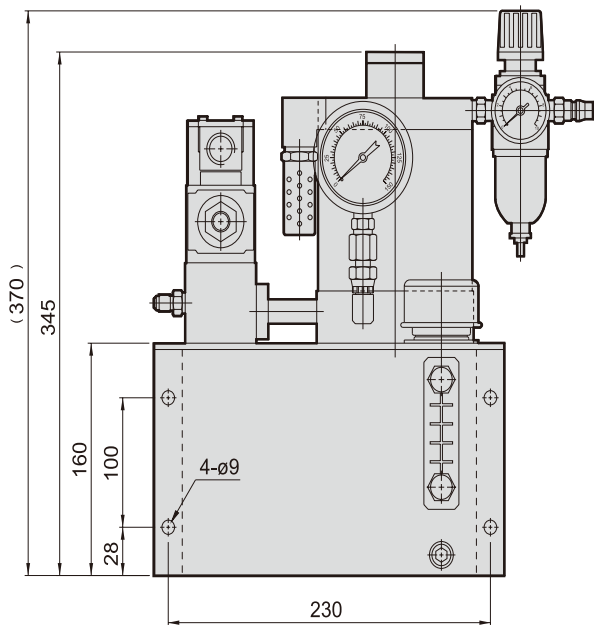
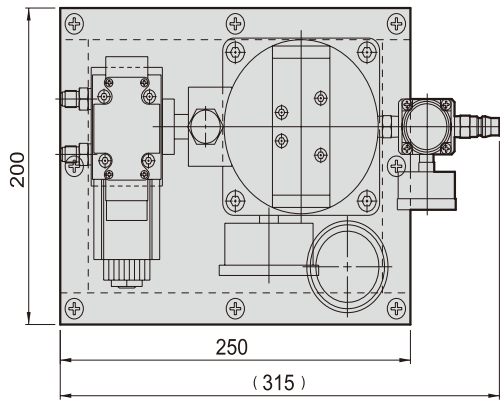
FEATURE

fluid	filtered compressed air			
max. pressure (kgf/cm ²)	6			
boost multiple	6	10	25	44
boost pressure (kgf/cm ²) (when pressure 5kgf/cm ²)	30	50	100	220
output (ℓ/min) (when pressure 5kgf/cm ²)	16	10	5	3
volume (L)	5			
oil	mineral oil ISO-VG68			

ORDER INDICATION

JABP	6	A	AC110V
series	boost multiple	output	voltage
Air booster pump	6	A: ISO flange	AC110V
	10	B: PT basic	AC220V
	25		DC12V
	44		DC24V

EXTERNAL DIMENSIONS



Tie-rod Hydraulic Cylinder

Mold Hydraulic Cylinders

Swivel & Clamp Hydraulic Cylinders

Booster Cylinders & Unclamping cylinders

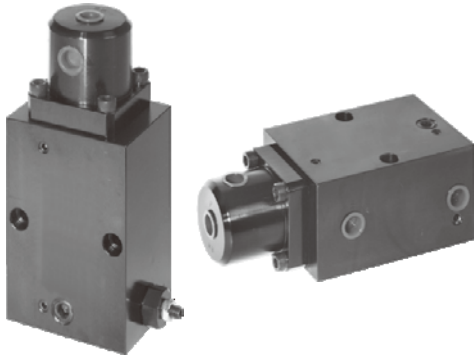
ISO Specifications Cylinders

Round Hydraulic Cylinders

Specific Hydraulic Cylinders

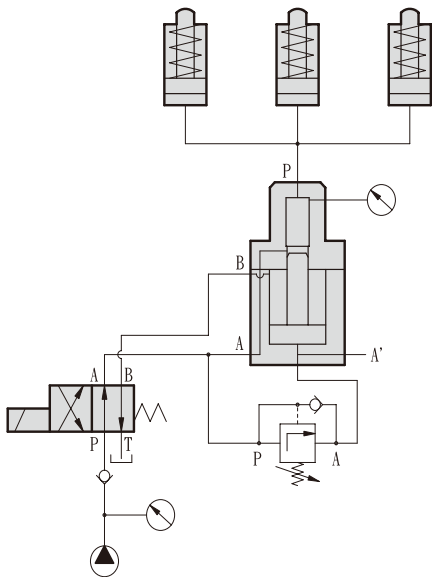
Systems & Fittings

JHB HYDRAULIC BOOSTER



- Built-in sequence valve
- The low-pressure oil is pre-pressed first when in use, and the cylinder is pushed into the workpiece
- Low-pressure oil circuit enters the booster through the internal sequence valve, generates multiple pressure and pressurizes it to the cylinder
- According to the total capacity of the pressurized side of the cylinder, please select a larger capacity booster

CIRCUIT DIAGRAM



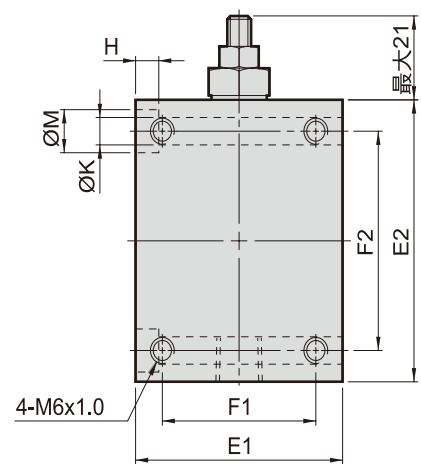
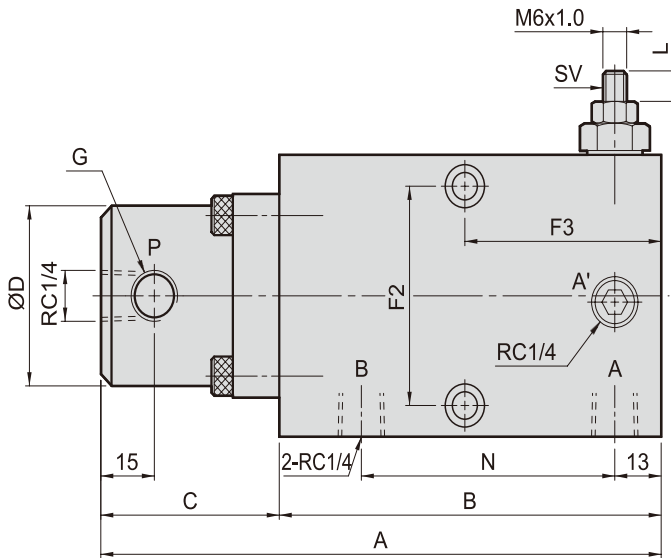
ORDER INDICATION

JHB	9 x 6
series	spec. of booster
hydraulic booster	low output: boost multiple x output (cc)
	9x6 5x10 3.5x15
	high output: boost multiple x output (cc)
	8x22 5x35 3.8x45

EXTERNAL DIMENSIONS

M6 length (mm)	7	6	5	4	3	2	1
pressure (kgf/cm ²)	20	25	30	35	40	45	50

↑ Factory set pressure 30kgf/cm²



spec. of booster	low output			high output		
	spec. of booster	9x6	5x10	3.5x15	8x22	5x35
booster multiple	9	5	3.5	8	5	3.8
high pressure output (cc)	6	19	15	22	35	45
A	157			210		
B	107			139		
C	50			71		
D	46			58		
E1	58			82		
E2	72			95		
F1	43			62		
F2	56			80		
F3	55			70		
H	7			9		
K	7			9		
M	11			14		
N	71			96		
G	RC 1/4	RC 1/8		RC 1/4		

Tie-rod Hydraulic Cylinder

Mold Hydraulic Cylinders

Swivel & Clamp Hydraulic Cylinders

Booster Cylinders & Unclamping cylinders

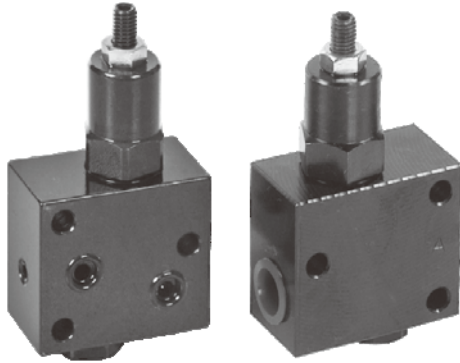
ISO Specifications Cylinders

Round Hydraulic Cylinders

Specific Hydraulic Cylinders

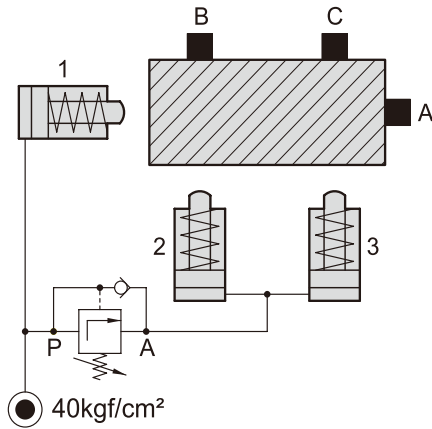
Systems & Fittings

JLSV LOW-PRESSURE SEQUENCE VALVE

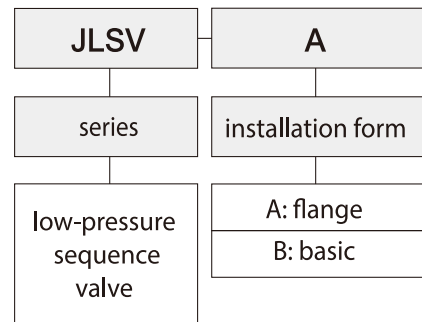


- Applicable to the fixture circuit, the action sequence of multiple cylinders is determined by the preset pressure
- Installation form: A- flange
B- basic
- Preset pressure 10-70kgf/cm²

CIRCUIT DIAGRAM

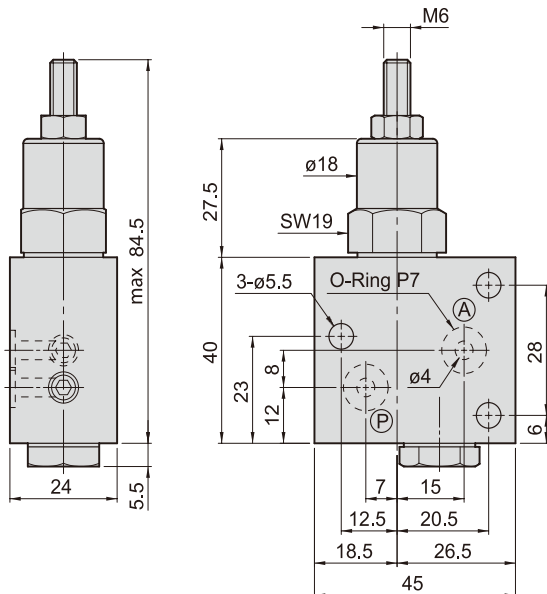


ORDER INDICATION

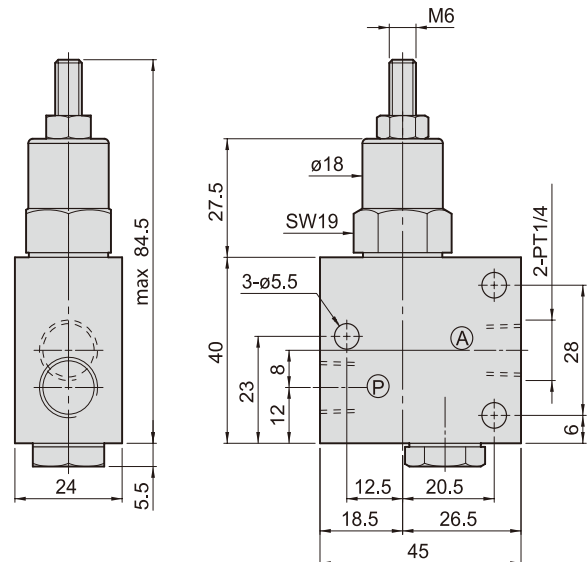


EXTERNAL DIMENSIONS

- A flange



- B basic

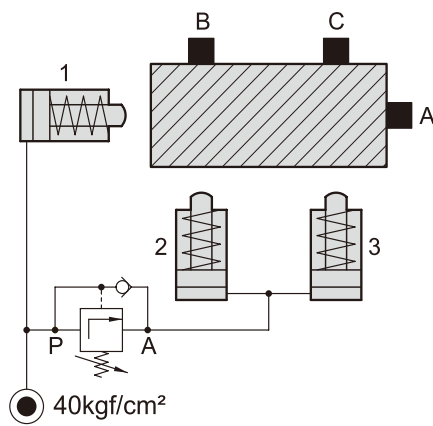


JHSV HIGH-PRESSURE SEQUENCE VALVE



- Applicable to the fixture circuit, the action sequence of multiple cylinders is determined by the preset pressure
- Installation form: A- flange
B- basic
- Preset pressure 10-50kgf/cm²
30-200kgf/cm²
70-300kgf/cm²

CIRCUIT DIAGRAM

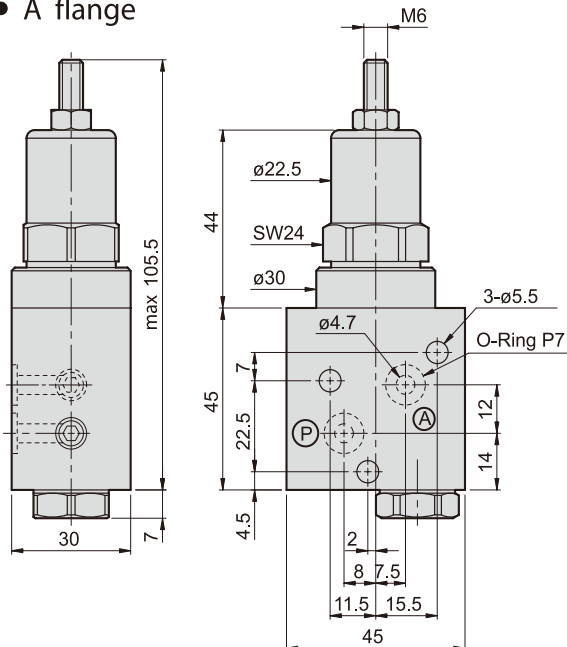


ORDER INDICATION

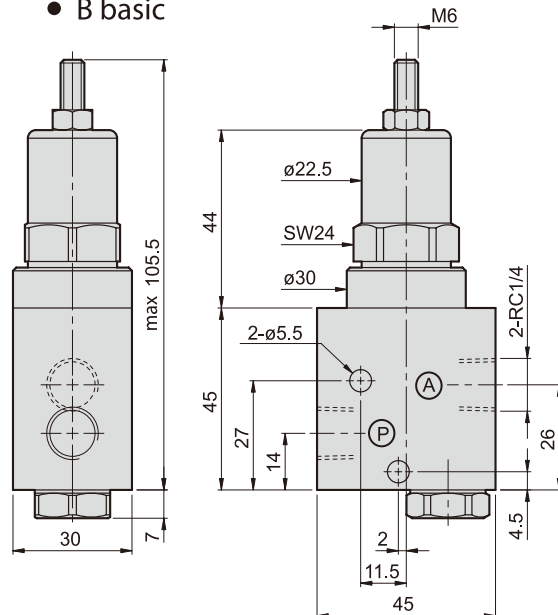
JHSV	A	1
series	installation form	preset pressure
high-pressure sequence valve	A: flange	1 10-50kgf/cm ²
	B: basic	2 30-200kgf/cm ²
		3 70-300kgf/cm ²

EXTERNAL DIMENSIONS

• A flange



• B basic



Tie-rod Hydraulic Cylinder

Mold Hydraulic Cylinders

Swivel & Clamp Hydraulic Cylinders

Booster Cylinders & Unclamping cylinders

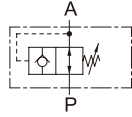
ISO Specifications Cylinders

Round Hydraulic Cylinders

Specific Hydraulic Cylinders

Systems & Fittings

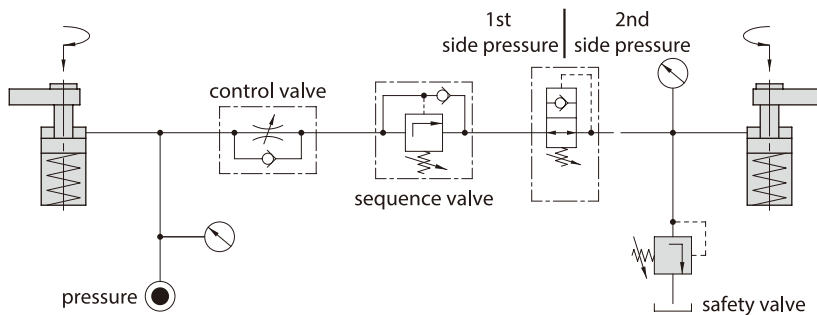
JPRV PRESSURE REDUCING VALVE



ORDER INDICATION

JPRV	A	02	1
series	installation form	bore	pressure range
pressure reducing valve	A: flange B: basic	02:Rc1/4	1 5-50kgf/cm ² 2 10-50kgf/cm ² 3 20-120kgf/cm ² 4 30-240kgf/cm ² 5 50-380kgf/cm ²

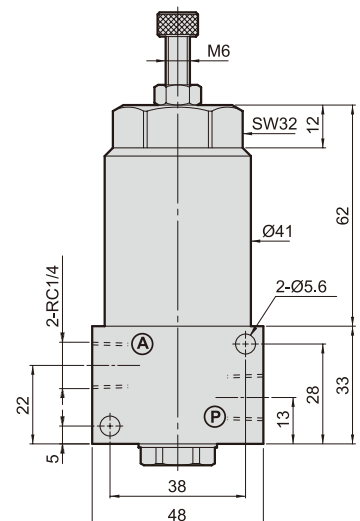
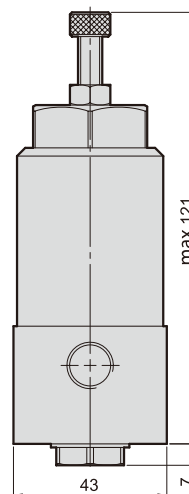
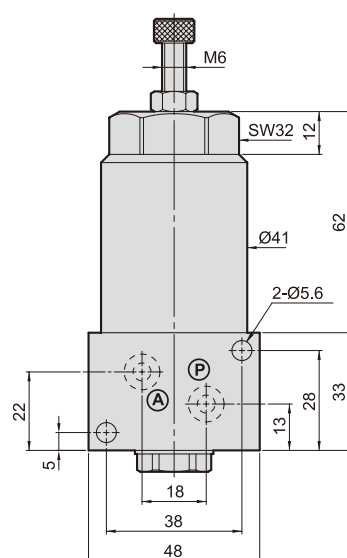
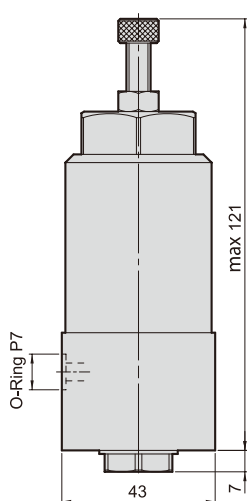
CIRCUIT DIAGRAM



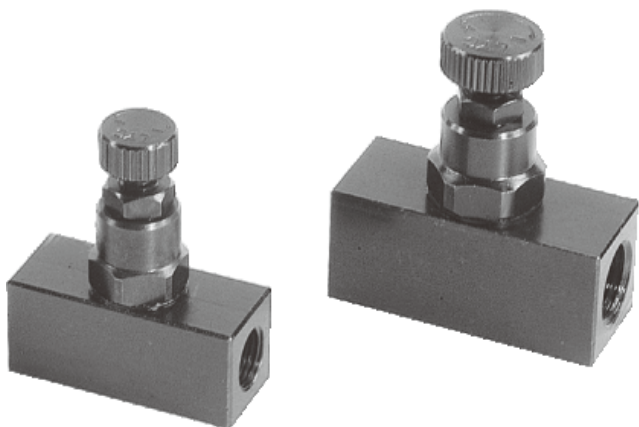
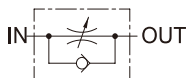
EXTERNAL DIMENSIONS

- A flange

- B basic



JFCV FLOW CONTROL VALVE



ORDER INDICATION

JFCV	01
series	bore
flow control valve	01:Rc1/8
	02:Rc1/4

Tie-rod Hydraulic Cylinder

Mold Hydraulic Cylinders

Swivel & Clamp Hydraulic Cylinders

Booster Cylinders & Unclamping cylinders

ISO Specifications Cylinders

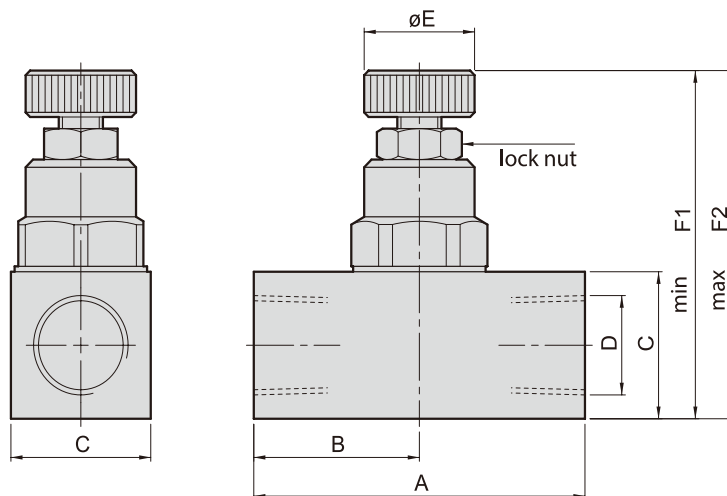
Round Hydraulic Cylinders

Specific Hydraulic Cylinders

Systems & Fittings

EXTERNAL DIMENSIONS

- max. working pressure 210kgf/cm²



symbol series	A	B	C	D	E	F1	F2
JFCV-01	35	19	15.9	Rc1/8	12	41	44.5
JFCV-02	45	22.5	19	Rc1/4	15	45	48.5