

BLOCK CYLINDERS—JECR



- All the seals adopt the specifications from well-known foreign brands.
- Save space, easy installation, suitable for mold and processing fixture or installation space is limited.
- Similar in size to VCR.

Tie-rod Hydraulic Cylinder

Mold Hydraulic Cylinders

Swivel & Clamp Hydraulic Cylinders

Booster Cylinders & Unclamping cylinders

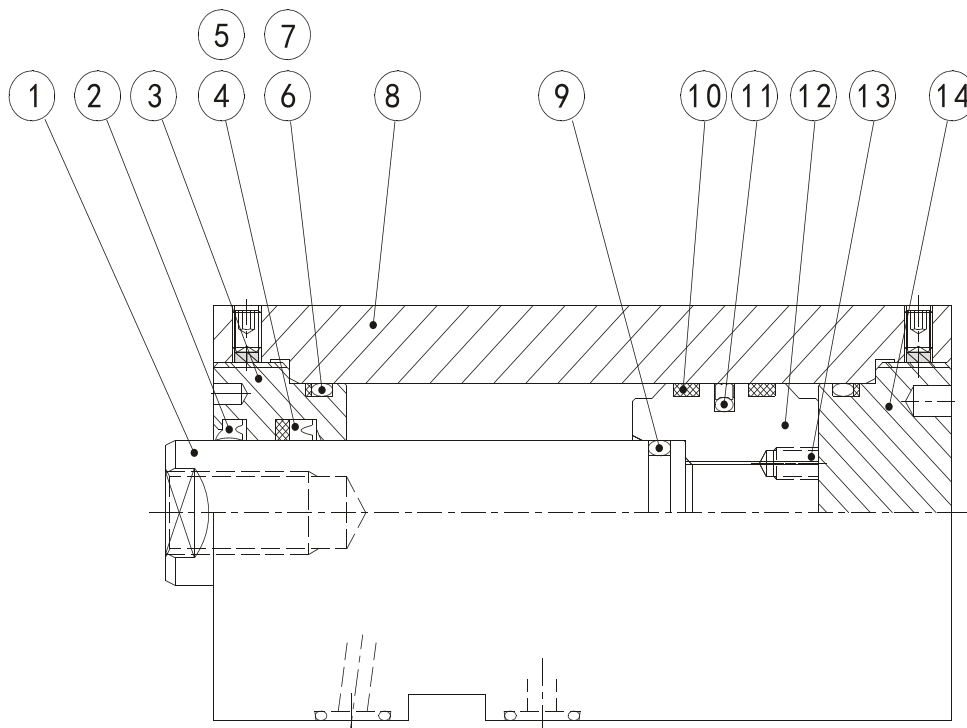
ISO Specifications Cylinders

Round Hydraulic Cylinders

Specific Hydraulic Cylinders

Systems & Fittings

INTERNAL STRUCTURE AND PART NAMES

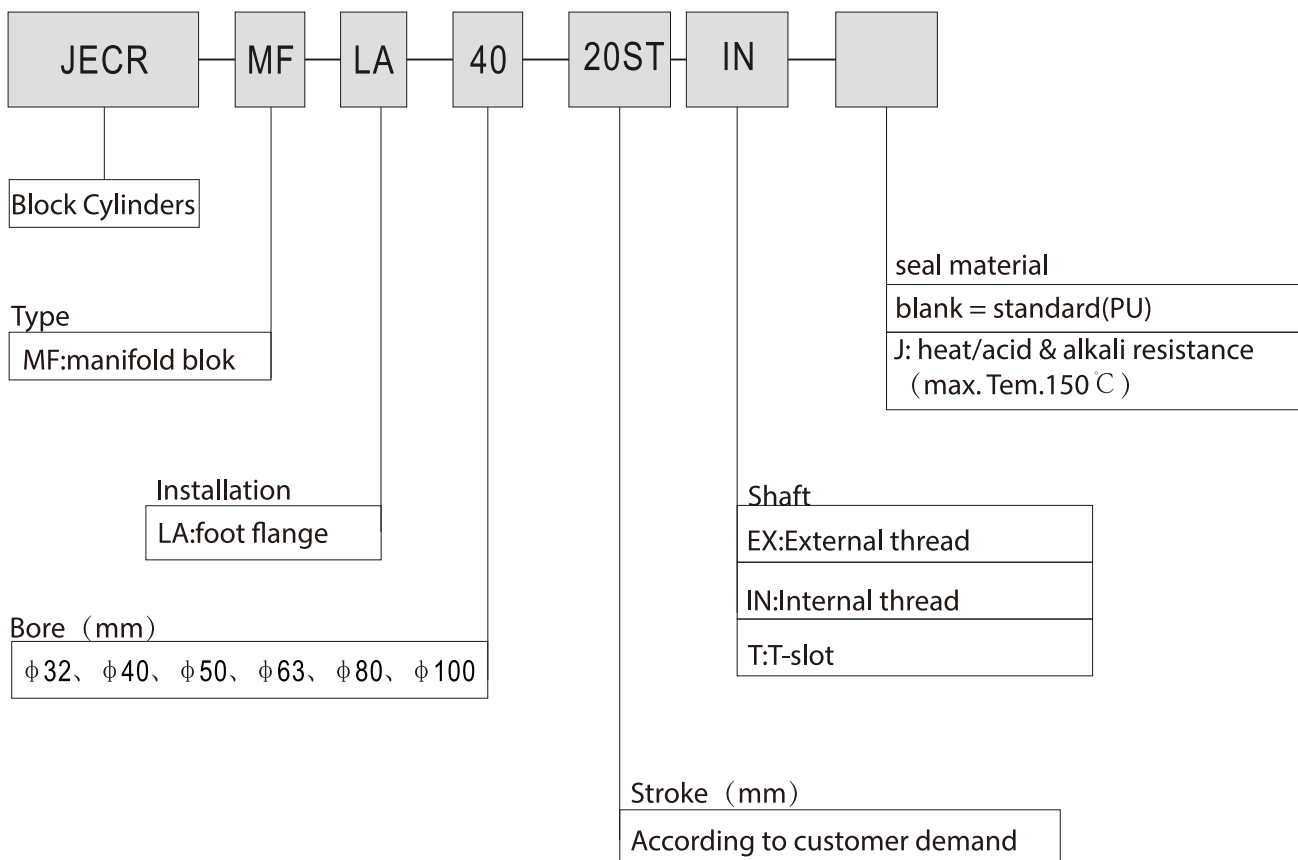


item	part name	qty	item	part name	qty	item	part name	qty
①	rod	1	⑥	cover O ring	2	⑪	piston seal	1
②	rod cover dust seal	1	⑦	cover backup ring	2	⑫	piston	1
③	rod cover	1	⑧	tube	1	⑬	set screw	1
④	rod cover backup ring	1	⑨	rod O ring	1	⑭	head cover	1
⑤	rod cover seal	1	⑩	wear ring	2			

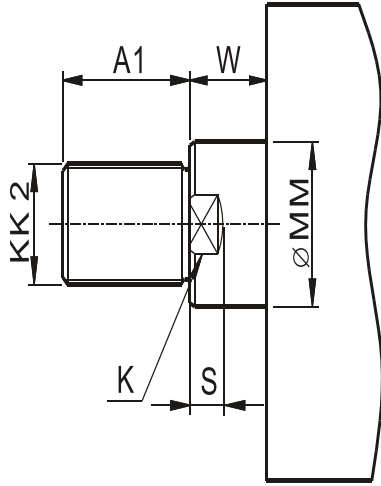
SEAL SPEC.

Item	②	④	⑤	⑥+⑦	⑨	⑪
Name	rod cover dust seal	Backup ring	rod cover seal	cover O ring	piston O ring	piston seal
	(NBR)	(PTFE)	(NBR)	(1A)	(1A)	(1B)
Qty	1	1	1	1	1	1
Bore	32	40	50	63	80	100
	18x26x6	18x26x2t	18x26x5	P32+BUR	P14	32x21x4.2
	22x30x6	22x30x2t	22x30x5	G35+BUR	P18	40x29x4.2
	28x36x6	28x36x2t	28x36x5	G45+BUR	P22A	50x39x4.2
	36x44x6.5	36x46x3t	36x46x6	G58+BUR	G30	63x52x4.2
	45x53x6.5	45x55x3t	45x55x6	G75+BUR	G40	80x69x4.2
	56x64x6.5	56x66x3t	56x66x6	G95+BUR	G50	100x84.5x6.3

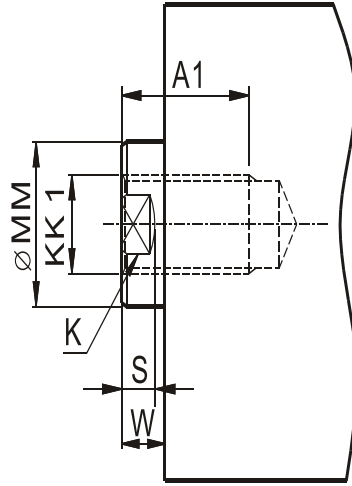
ORDER INDICATION



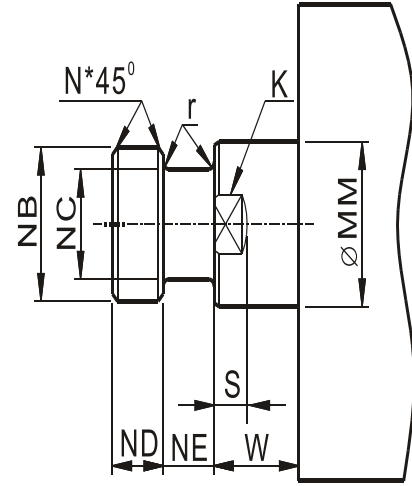
TYPE OF PISTON ROD SHAFT END



EX:External thread



IN:Internal thread



T:T-slot

Tie-rod Hydraulic Cylinder

Mold Hydraulic Cylinders

Swivel & Clamp Hydraulic Cylinders

Booster Cylinders & Unclamping cylinders

ISO Specifications Cylinders

Round Hydraulic Cylinders

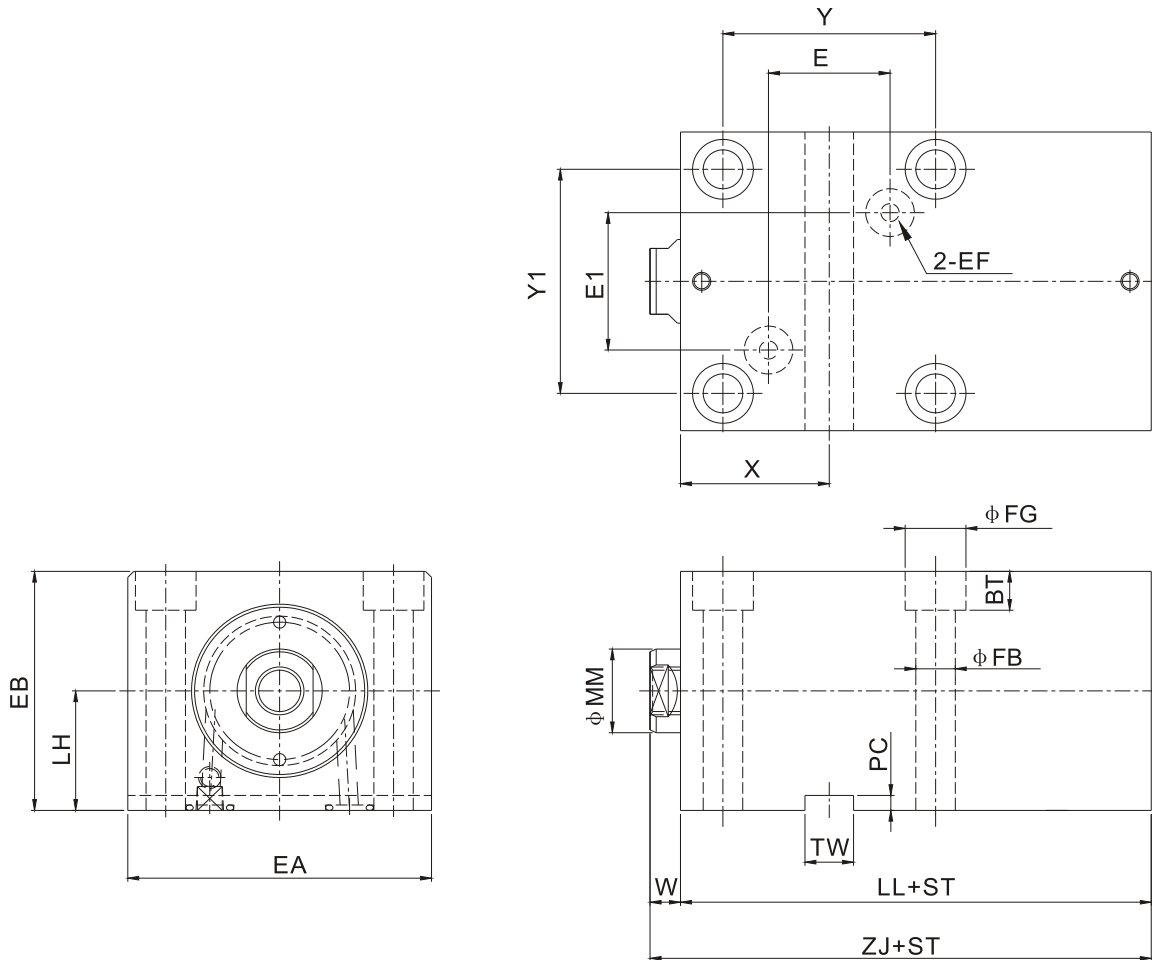
Specific Hydraulic Cylinders

Systems & Fittings

Symbol Bore	MM	K	KK 1	KK 2	NB	A1	NC	ND	NE	n	r	S	W
32	18	14	M8 × 1.25	M12 × 1.25	16	20	10	8	8	1	1	9	10
40	22	17	M10 × 1.5	M16 × 1.5	20	25	13	10	10	1	1	9	10
50	28	22	M16 × 1.5	M20 × 1.5	25	30	16	13	13	1	1	9	10
63	36	30	M20 × 1.5	M27 × 2.0	33	40	22	16	16	2	2	9	10
80	45	36	M27 × 2.0	M33 × 2.0	42	50	30	20	20	2	2	9	10
100	56	46	M33 × 2.0	M42 × 2.0	53	60	36	30	30	2	2	9	10

EXTERNAL DIMENSIONS

- JECR-MF-LA-IN Internal thread, manifold block, foot flange



Symbol	MM	W	TW	PC	LL	ZJ	X	EA	LH	EF	EB	E	Y	E1	Y1	FG	FB	BT
Bore 32	18	10	10	5	76	86	37	80	30	φ15.5x1.8bottom holeφ5.2	60	30	50	36	58	14	9	9
40	22	10	12	5	85	95	42	90	35	φ15.5x1.8bottom holeφ6	70	35	60	40	65	14	9	9
50	28	10	16	5	95	105	49	100	40	φ15.5x1.8bottom holeφ6	80	40	70	46	75	20	13	13
63	36	10	16	5	108	118	50	120	50	φ19.5x1.8bottom holeφ8	100	40	70	50	90	20	13	13
80	45	10	20	5	126	136	55	140	55	φ19.5x1.8bottom holeφ8	110	45	80	70	110	20	13	13
100	56	10	20	5	140	150	61	160	65	φ19.5x1.8bottom holeφ8	130	45	80	80	130	23	15	15

Note:IN/EX/T-slot size refer to P146 type of piston rod shaft end.

Oil port O-ring size

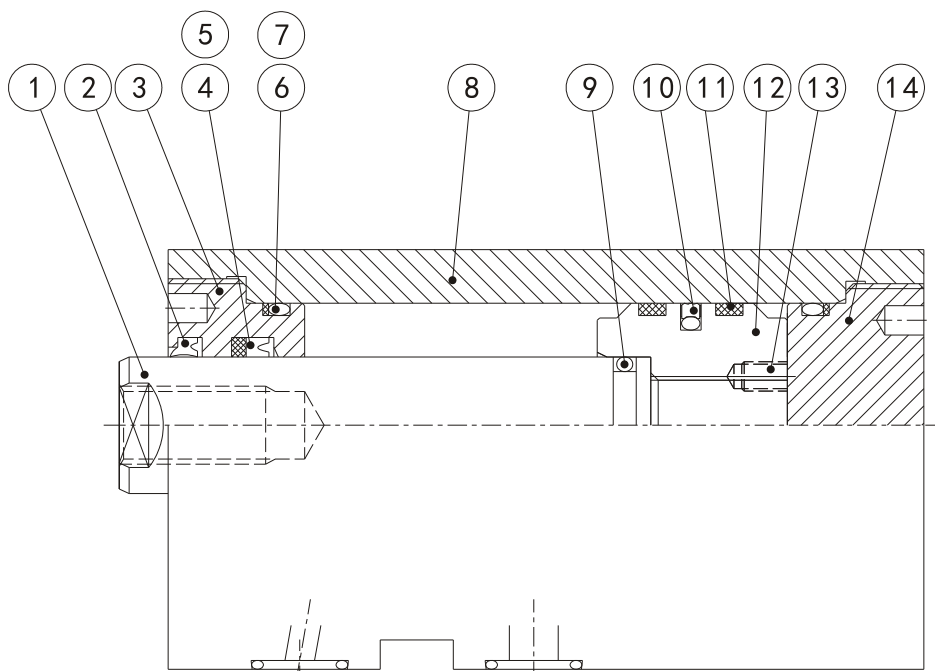
∅32	P12
∅40	P12
∅50	P12
∅63	P16
∅80	P16
∅100	P16

BLOCK CYLINDERS-JEBC



- All the seals adopt the specifications from well-known foreign brands.
- Save space, easy installation, suitable for mold and processing fixture or installation space is limited.
- Similar to the installation size of CBC.

INTERNAL STRUCTURE AND PART NAMES



item	part name	qty	item	part name	qty	item	part name	qty
①	rod	1	⑥	cover O ring	2	⑪	wear ring	2
②	rod cover dust seal	1	⑦	cover backup ring	2	⑫	piston	1
③	rod cover	1	⑧	tube	1	⑬	set screw	1
④	rod cover backup ring	1	⑨	rod O ring	1	⑭	head cover	1
⑤	rod cover seal	1	⑩	piston seal	1			

Tie-rod Hydraulic Cylinder

Mold Hydraulic Cylinders

Swivel & Clamp Hydraulic Cylinders

Booster Cylinders & Unclamping cylinders

ISO Specifications Cylinders

Round Hydraulic Cylinders

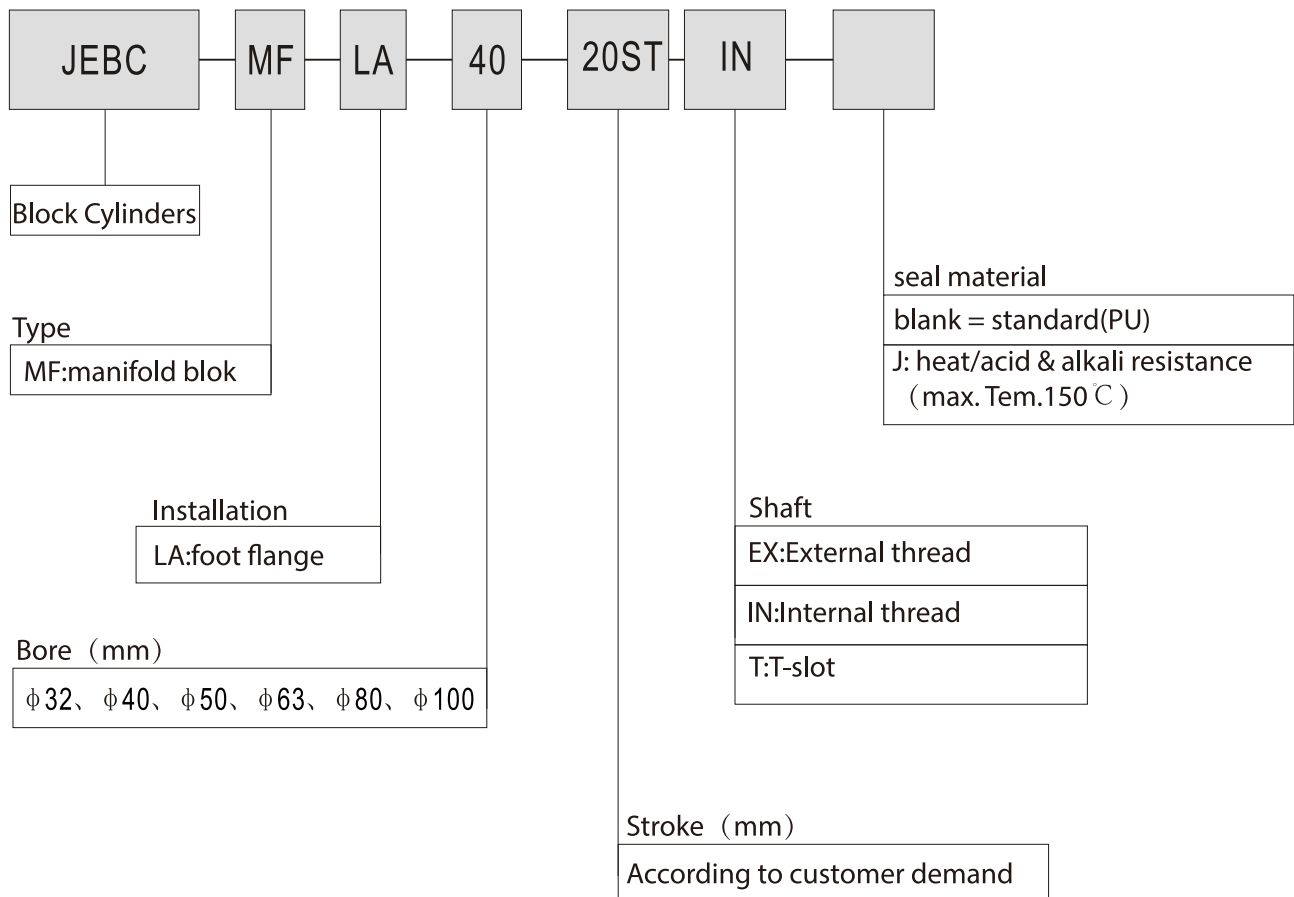
Specific Hydraulic Cylinders

Systems & Fittings

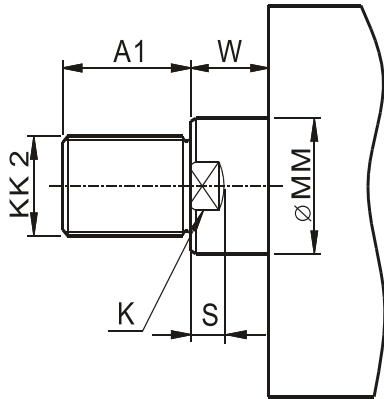
SEAL SPEC.

Item	②	④	⑤	⑥)+⑦	⑨	⑩
Name	rod cover dust seal	Backup ring	rod cover seal	cover O ring	piston O ring	piston seal
	(NBR)	(PTFE)	(NBR)	(1A)	(1A)	(1B)
Qty	1	1	1	1	1	1
Bore	1	1	1	1	1	1
32	18x26x6	18x26x2t	18x26x5	P32+BUR	P14	32x21x4.2
40	22x30x6	22x30x2t	22x30x5	G35+BUR	P18	40x29x4.2
50	28x36x6	28x36x2t	28x36x5	G45+BUR	P22A	50x39x4.2
63	36x44x6.5	36x46x3t	36x46x6	G58+BUR	G30	63x52x4.2
80	45x53x6.5	45x55x3t	45x55x6	G75+BUR	G40	80x69x4.2
100	56x64x6.5	56x66x3t	56x66x6	G95+BUR	G50	100x84.5x6.3

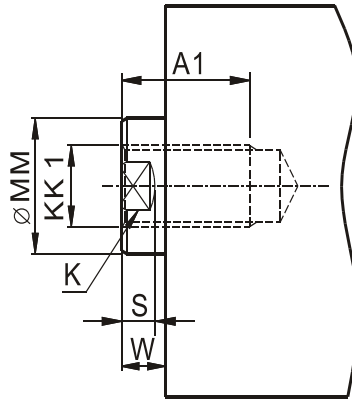
ORDER INDICATION



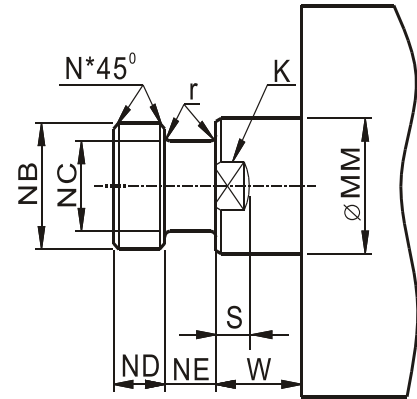
EXTERNAL DIMENSIONS



EX: External thread



IN: Internal thread



T: T-slot

Symbol Bore	MM	K	KK 1	KK 2	NB	A1	NC	ND	NE	n	r	S	W
32	18	16	M12 × 1.75	M12 × 1.75	16	20	10	8	8	1	1	7	8
40	22	17	M12 × 1.75	M12 × 1.75	20	25	13	10	10	1	1	9	10
50	28	22	M16 × 2.0	M16 × 2.0	25	30	16	13	13	1	1	9	10
63	36	30	M20 × 2.5	M20 × 2.5	33	40	22	16	16	2	2	11	12
80	45	36	M27 × 3.0	M27 × 3.0	42	50	30	20	20	2	2	13	14
100	56	46	M36 × 4.0	M36 × 4.0	53	60	36	30	30	2	2	13	14

Tie-rod Hydraulic Cylinder

Mold Hydraulic Cylinders

Swivel & Clamp Hydraulic Cylinders

Booster Cylinders & Unclamping cylinders

ISO Specifications Cylinders

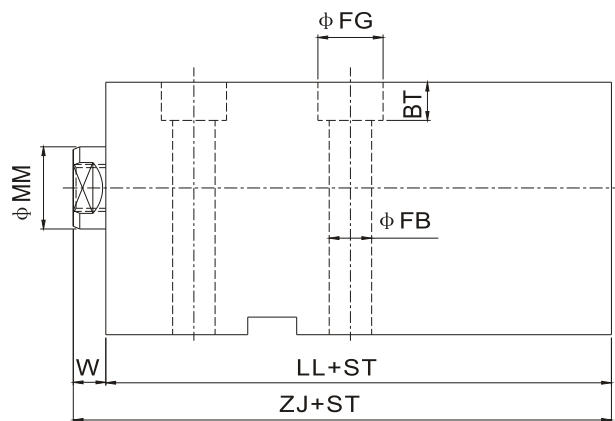
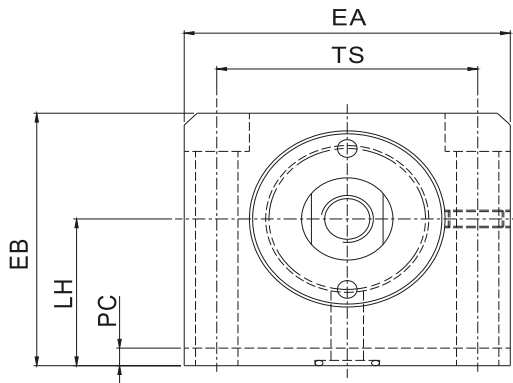
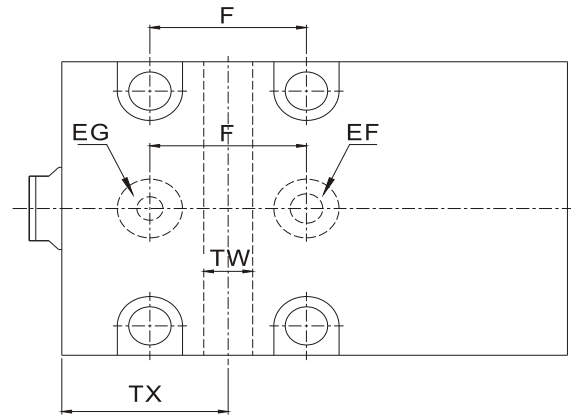
Round Hydraulic Cylinders

Specific Hydraulic Cylinders

Systems & Fittings

EXTERNAL DIMENSIONS

- JEBC-MF-LA-IN Internal tooth, manifold block, foot flange



Symbol Bore	MM	W	LL	ZJ	FB	FG	BT	TX	TW	F	PC	EG	EF
32	18	8	76	84	11	18	10.8	42	12	36	5	φ15.5x1.8bottom holeφ5	φ15.5x1.8bottom holeφ8
40	22	10	85	95	11	18	10.8	44	12	42	5	φ19.5x1.8bottom holeφ6	φ19.5x1.8bottom holeφ10
50	28	10	95	105	12	20	13	51	15	48	6	φ19.5x1.8bottom holeφ6	φ19.5x1.8bottom holeφ10
63	36	12	108	120	17	26	17.5	54	20	52	6	φ21.5x1.8bottom holeφ8	φ21.5x1.8bottom holeφ12
80	45	14	126	140	21	32	21.5	63	20	56	8	φ21.5x1.8bottom holeφ10	φ21.5x1.8bottom holeφ14
100	56	14	140	154	21	32	21.5	73	20	56	8	φ23.5x1.8bottom holeφ10	φ23.5x1.8bottom holeφ14

Symbol Bore	LH	EB	TS	EA
32	38	66	57	75
40	45	76	72	90
50	50	86	80	100
63	60	106	94	120
80	70	130	118	150
100	85	155	132	170

Oil port O-ring size

∅32	P12
∅40	P16
∅50	P16
∅63	P18
∅80	P18
∅100	P20

Note:IN/EX/T-slot size refer to P146 type of piston rod shaft end.