

BLOCK CYLINDERS-JECX



- JECX is another block cylinder different from CXHC (foot flange).
- JECX is more resistant to high pressure than CXHC.
- Save space,easy installation, suitable for mold and processing fixture or installation space is limited
- Similar to the mounting size of VBG products

THEORETICAL FORCE

Bore	Shaft	Piston pressure area(c.m ²)		theoretical force(P=70kgf/c.m ²)		theoretical force(P=160kgf/c.m ²)		theoretical force(P=210kgf/c.m ²)	
		Push	Pull	Push	Pull	Push	Pull	Push	Pull
25	16	4.9	2.9	343	203	784	464	1030	608
32	18	8	5.5	560	385	1280	880	1688	1154
40	22	12.6	8.8	880	616	2016	1408	2637	1840
50	28	19.6	13.5	1375	945	3136	2160	4121	2828
63	36	31.2	21	2182	1470	4992	3360	6542	4406
80	45	50.3	34.4	3519	2408	8048	5504	10550	7212
100	56	78.5	53.9	5498	3773	12560	8624	16485	11315

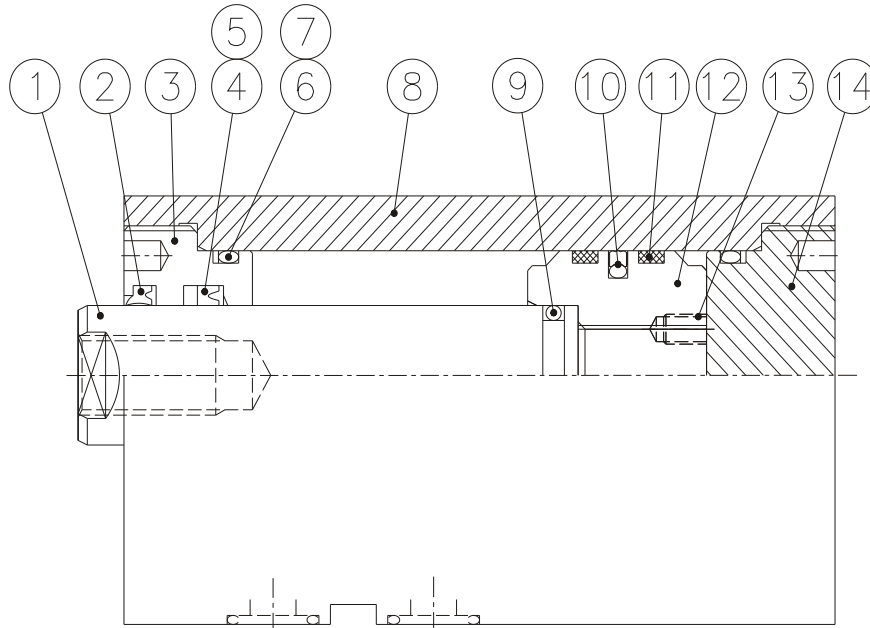
SEAL MATERIAL

Material Symbol	(NBR)	(PU)	(FPM)
Oil	1	2	3
mineral	○	○	○
water solution	○	X	○
soluble	○	X	○
phosphate ester	X	X	○
temperature	-20℃~+80℃		-10℃~+200℃
viscosity	20~400mm ² /S { cst }		

⚠ Note:

- 1、 mineral oil: ISO-VG32。
- 2、 If mineral oil is used,there is no need to mark it. Our company will provide standard oil seal (NBR).
- 3、 If phosphate ester oil is used or high temperature is applied, will shown as symbol 3.
- 4、 symbol O = ok, x = cannot be used.
- 5、 Temperature of FPM must set below 150℃ when operate long time.

INTERNAL STRUCTURE AND PART NAMES



item	part name	qty	item	part name	qty	item	part name	qty
①	rod	1	⑥	cover O ring	2	⑪	wear ring	2
②	rod cover dust seal	1	⑦	cover backing ring	2	⑫	piston	1
③	rod cover	1	⑧	tube	1	⑬	set screw	1
④	rod cover backup ring	1	⑨	rod O ring	1	⑭	head cover	1
⑤	rod cover seal	1	⑩	piston seal	1			

SEAL SPEC.

Item	②	④	⑤	⑥ + ⑦	⑨	⑩
Name	rod cover dust seal	rod cover seal	cover backing ring	cover O ring	piston O ring	piston seal
qty	(NBR)	(NBR)	(PTFE)	(1A)	(1A)	(1B)
Bore	1	1	1	1	1	1
25	16x24x6	16x24x5	16x24x2t	P30+BUR	P10A	P21+2BUR
32	18x26x6	18x26x5	18x26x2t	P32+BUR	P14	32x21x4.2
40	22x30x6	22x30x5	22x30x2t	G35+BUR	P18	40x29x4.2
50	28x36x6	28x36x5	28x36x2t	G45+BUR	P22A	50x39x4.2
63	36x44x6.5	36x46x6	36x46x3t	G58+BUR	G30	63x52x4.2
80	45x53x6.5	45x55x6	45x55x3t	G75+BUR	G40	80x69x4.2
100	56x64x6.5	56x66x6	56x66x3t	G95+BUR	G50	100x84.5x6.3

MAX. STROKE

bore	25	32	40	50	63	80	100
stroke	80	350	400	650	700	700	700

Tie-rod Hydraulic Cylinder

Mold Hydraulic Cylinders

Swivel & Clamp Hydraulic Cylinders

Booster Cylinders & Unclamping cylinders

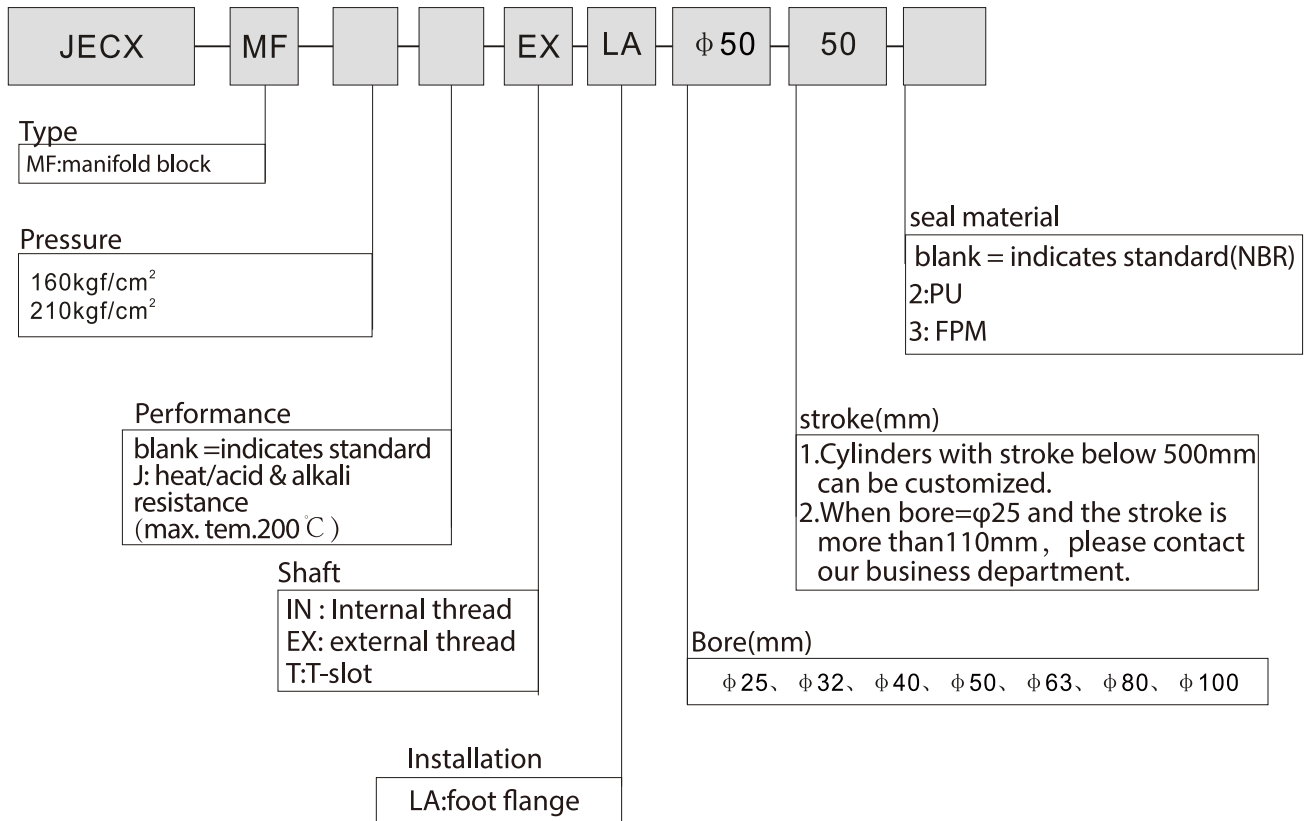
ISO Specifications Cylinders

Round Hydraulic Cylinders

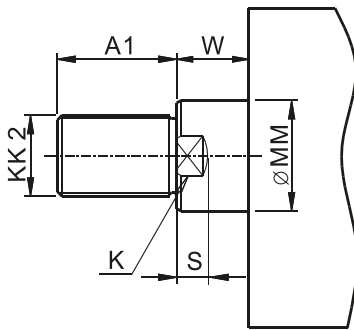
Specific Hydraulic Cylinders

Systems & Fittings

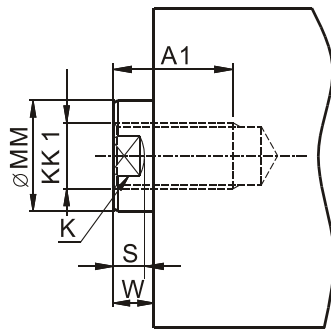
ORDER INDICATION



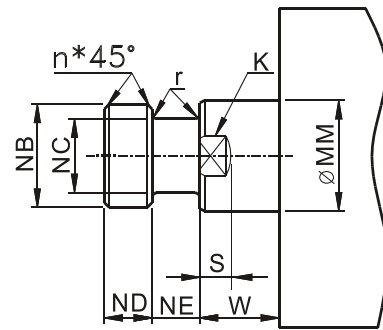
EXTERNAL DIMENSIONS



EX: External thread



IN: Internal thread

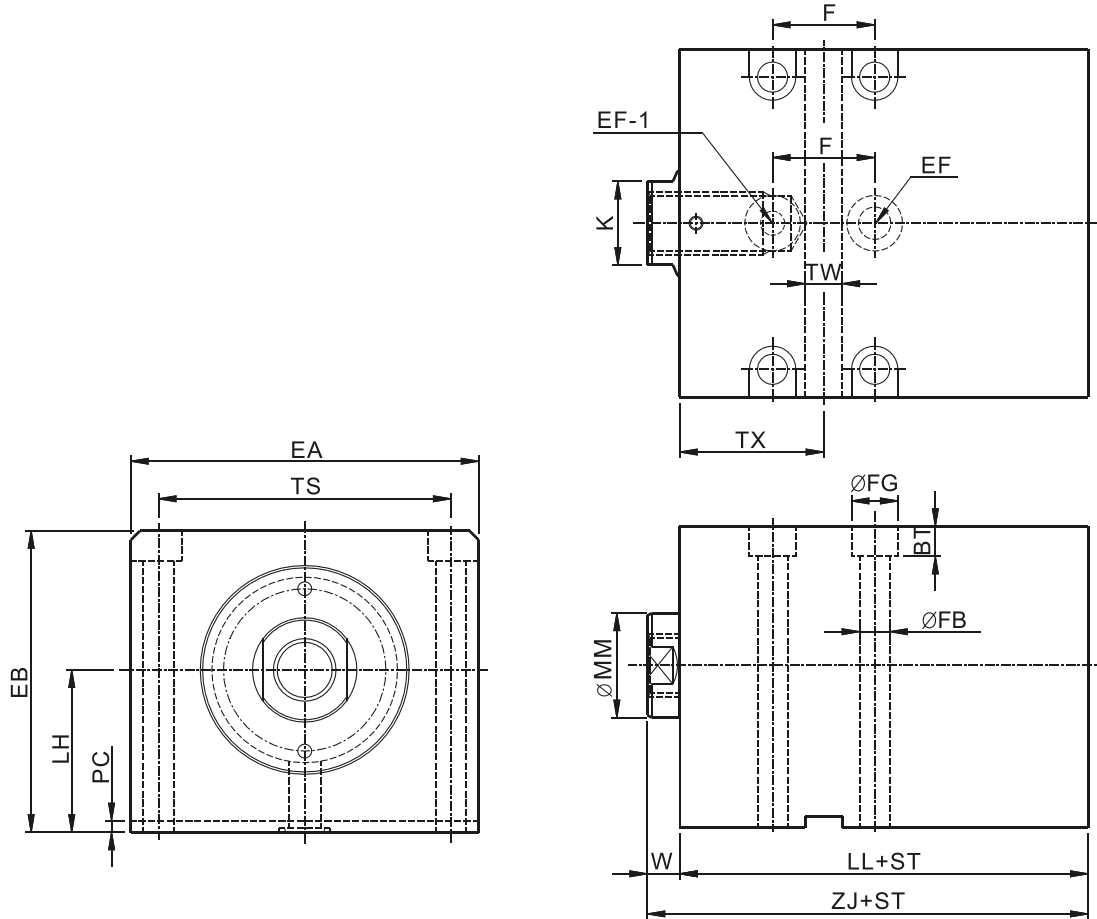


T: T-slot

Symbol Bore	MM	K	KK 1	KK 2	NB	A1	NC	ND	NE	n	r	S	W
25	16	12	M8 × 1.25	M12 × 1.25	14	20	8	6	6	0.5	1	6	7
32	18	14	M8 × 1.25	M12 × 1.25	16	20	10	8	8	1	1	7	8
40	22	17	M10 × 1.5	M16 × 1.5	20	25	13	10	10	1	1	9	10
50	28	22	M16 × 1.5	M20 × 1.5	25	30	16	13	13	1	1	9	10
63	36	30	M20 × 1.5	M27 × 2.0	33	40	22	16	16	2	2	11	12
80	45	36	M27 × 2.0	M33 × 2.0	42	50	30	20	20	2	2	13	14
100	56	46	M33 × 2.0	M42 × 2.0	53	60	36	30	30	2	2	13	14

EXTERNAL DIMENSIONS

- JECX-MF-IN-LA Internal thread, manifold block, foot flange



- Tie-rod Hydraulic Cylinder
- Mold Hydraulic Cylinders
- Swivel & Clamp Hydraulic Cylinders
- Booster Cylinders & Unclamping cylinders
- ISO Specifications Cylinders
- Round Hydraulic Cylinders
- Specific Hydraulic Cylinders
- Systems & Fittings

Note: The tube size is shared with EX/T.

Symbol Bore	MM	EA	TW	FB	FG	BT	TS	F	EB	LH	K	ZJ	LL	PC	TX	W	EF
25	16	60	6	6.6	11	6.5	46	23	50	26	12	73	66	5	36	7	φ13x1.4DPbottom holeφ5
32	18	75	8	9	14	8.6	62	29	66	38	14	84	76	5	45	8	φ16x1.8DPbottom holeφ8
40	22	90	8	11	17.5	10.8	72	34	76	45	17	95	85	5	50	10	φ20x1.8DPbottom holeφ10
50	28	100	10	11	17.5	10.8	82	35	86	50	22	105	95	5	50	10	φ20x1.8DPbottom holeφ10
63	36	120	12	13	20	13	98	42	106	60	30	120	108	5	60	12	φ22x1.8DPbottom holeφ12
80	45	150	16	13	20	13	126	44	130	70	36	140	126	5	62	14	φ22x1.8DPbottom holeφ14
100	56	170	16	15	23	15.2	146	48	155	85	46	154	140	5	73	14	φ24x1.8DPbottom holeφ14

The size "TX" can be customized according to customer requirements (except φ25), but not less than the Min. value in the table.

Symbol Bore	EF-1
25	φ13x1.4DPbottom holeφ5
32	φ16x1.8DPbottom holeφ6
40	φ20x1.8DPbottom holeφ6
50	φ20x1.8DPbottom holeφ8
63	φ22x1.8DPbottom holeφ8
80	φ22x1.8DPbottom holeφ10
100	φ24x1.8DPbottom holeφ14

Oil port O-ring size

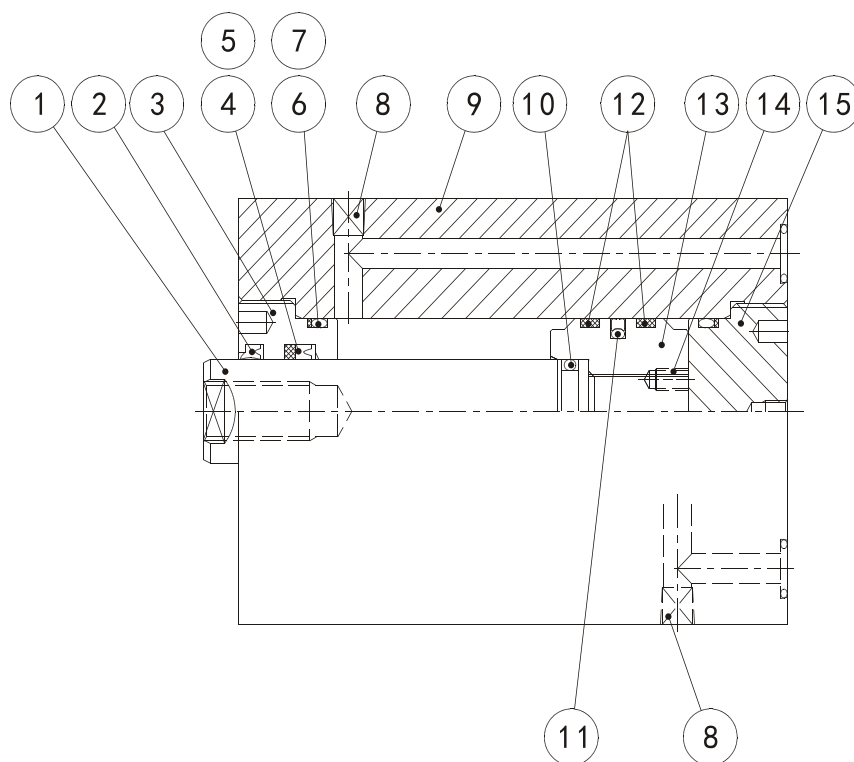
Ø25	P10
Ø32	P12
Ø40~Ø50	P16
Ø63~Ø80	P18
Ø100	P20

BLOCK CYLINDERS-JEXP



- A variety of installation options are available for customers to choose.
- All the seals adopt the specifications from well-known foreign brands.
- Save space, easy installation, suitable for mold and processing fixture or installation space is limited.
- Consistent with VXP installation dimensions.

INTERNAL STRUCTURE AND PART NAMES

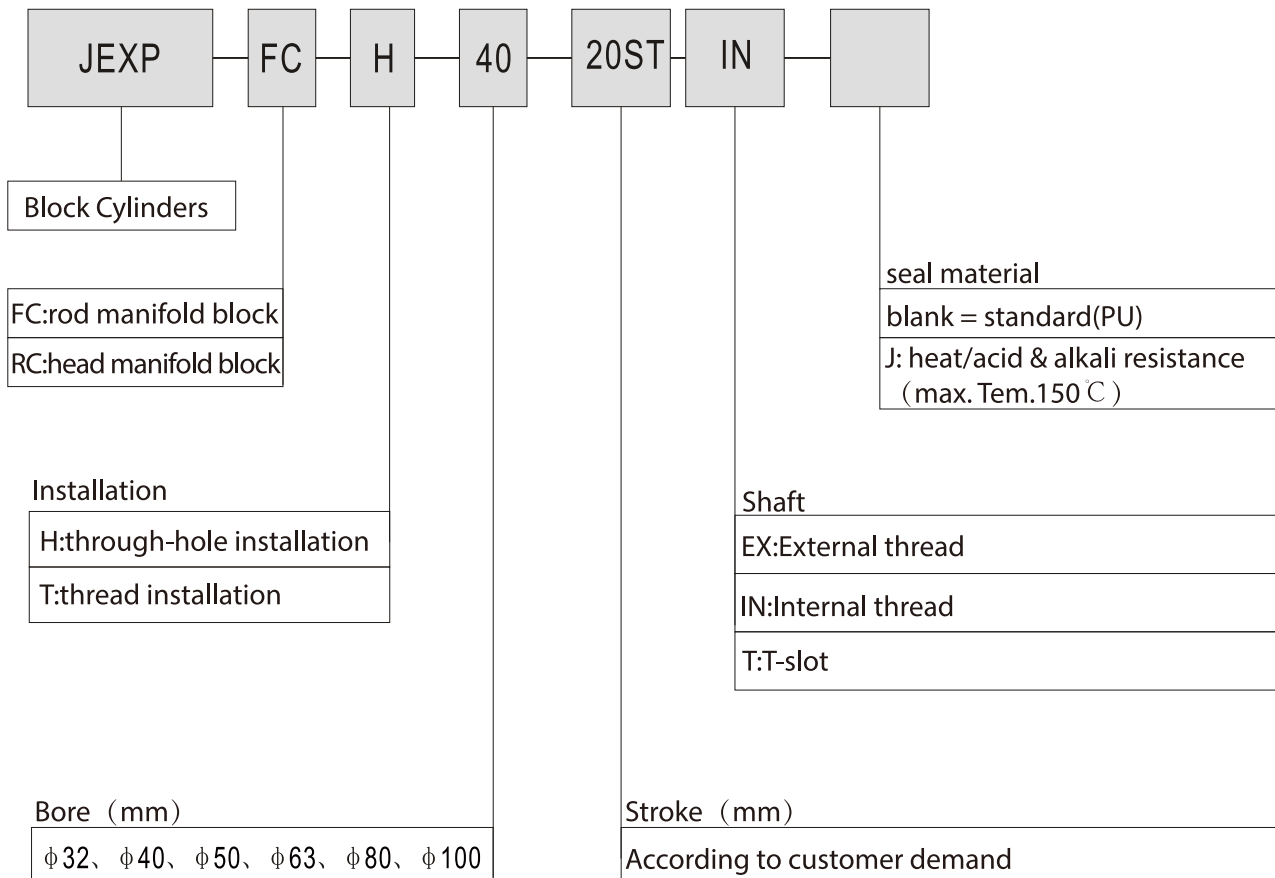


item	part name	qty	item	part name	qty	item	part name	qty
①	rod	1	⑦	cover backup ring	2	⑬	piston	1
②	rod cover dust seal	1	⑧	Throat plug	2	⑭	set screw	1
③	rod cover	1	⑨	tube	1	⑮	head cover	1
④	rod cover backup ring	1	⑩	rod O ring	1			
⑤	rod cover seal	1	⑪	piston seal	1			
⑥	cover O ring	2	⑫	wear ring	2			

SEAL SPEC.

Item	②	④	⑤	⑥)+⑦)	⑩	⑪
Name	rod cover dust seal	Backup ring	rod cover seal	cover O ring	piston O ring	piston seal
	(NBR)	(PTFE)	(NBR)	(1A)	(1A)	(1B)
Qty	1	1	1	1	1	1
Bore	1	1	1	1	1	1
32	18x26x6	18x26x2t	18x26x5	P32+BUR	P14	32x21x4.2
40	22x30x6	22x30x2t	22x30x5	G35+BUR	P18	40x29x4.2
50	28x36x6	28x36x2t	28x36x5	G45+BUR	P22A	50x39x4.2
63	36x44x6.5	36x46x3t	36x46x6	G58+BUR	G30	63x52x4.2
80	45x53x6.5	45x55x3t	45x55x6	G75+BUR	G40	80x69x4.2
100	56x64x6.5	56x66x3t	56x66x6	G95+BUR	G50	100x84.5x6.3

ORDER INDICATION



Tie-rod Hydraulic Cylinder

Mold Hydraulic Cylinders

Swivel & Clamp Hydraulic Cylinders

Booster Cylinders & Unclamping cylinders

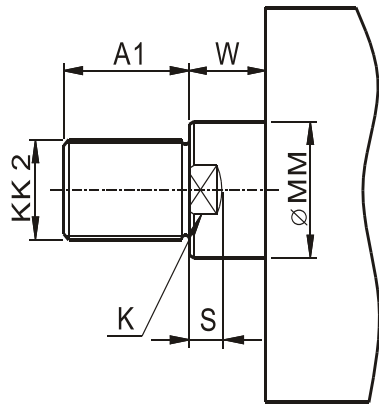
ISO Specifications Cylinders

Round Hydraulic Cylinders

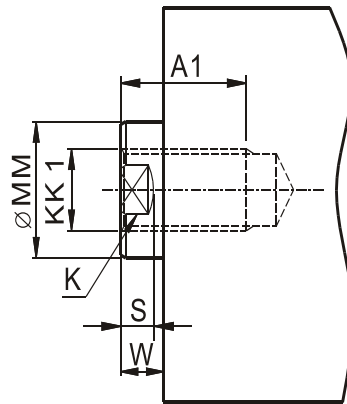
Specific Hydraulic Cylinders

Systems & Fittings

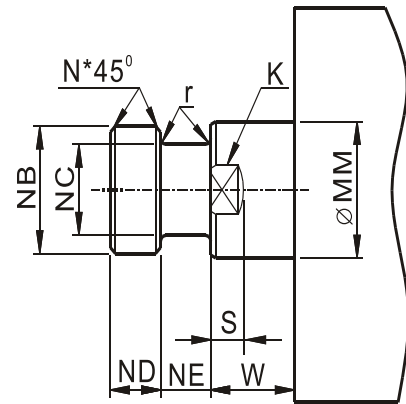
TYPE OF PISTON ROD SHAFT END



EX:External thread



IN:Internal thread

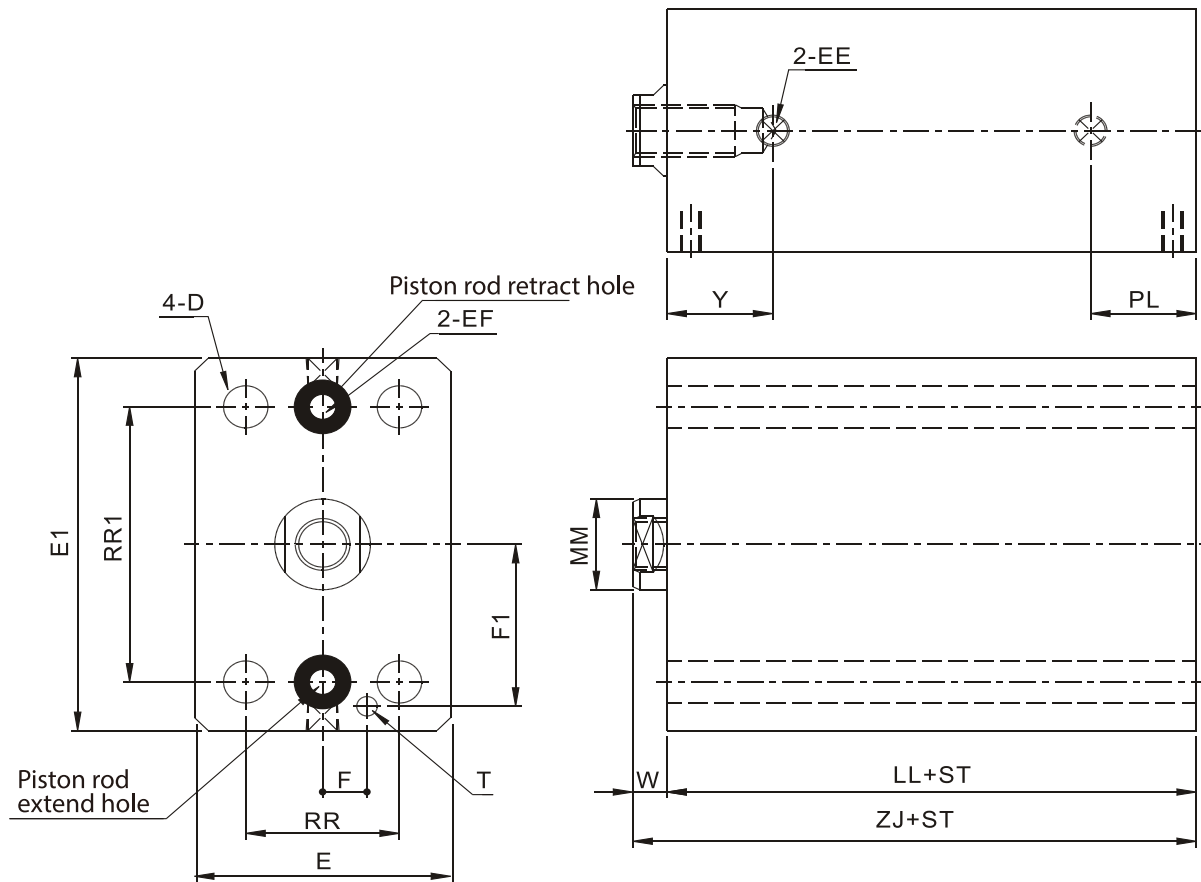


T:T-slot

Symbol	MM	K	KK 1	KK 2	NB	A1	NC	ND	NE	n	r	S	W
Bore 32	18	14	M8 × 1.25	M12 × 1.25	16	20	10	8	8	1	1	7	8
40	22	17	M10 × 1.5	M16 × 1.5	20	25	13	10	10	1	1	9	10
50	28	22	M16 × 1.5	M20 × 1.5	25	30	16	13	13	1	1	9	10
63	36	30	M20 × 1.5	M27 × 2.0	33	40	22	16	16	2	2	11	12
80	45	36	M27 × 2.0	M33 × 2.0	42	50	30	20	20	2	2	13	14
100	56	46	M33 × 2.0	M42 × 2.0	53	60	36	30	30	2	2	13	14

EXTERNAL DIMENSIONS

- JEXP-FC-H-IN Internal thread, rod manifold block, through-hole installation



Tie-rod Hydraulic Cylinder

Mold Hydraulic Cylinders

Swivel & Clamp Hydraulic Cylinders

Booster Cylinders & Unclamping cylinders

ISO Specifications Cylinders

Round Hydraulic Cylinders

Specific Hydraulic Cylinders

Systems & Fittings

Symbol Bore	MM	W	RR	E	RR1	E1	D	Y	PL	EE	EF	LL	ZJ	F	F1	T
32	18	8	35	55	60	82	9	28	26	RC1/16	$\phi 11 \times 1.4DP$ bottom hole $\phi 5$	76	84	11	37	$\phi 3$ deep 6
40	22	10	42	65	75	105	11	29.5	27	RC1/8	$\phi 16 \times 1.8DP$ bottom hole $\phi 8$	85	95	13	46	$\phi 5$ deep 10
50	28	10	45	75	85	115	13	31	31	RC1/8	$\phi 16 \times 1.8DP$ bottom hole $\phi 8$	95	105	13	50	$\phi 6$ deep 10
63	36	12	65	95	100	130	17	37	37	RC1/8	$\phi 16 \times 1.8DP$ bottom hole $\phi 8$	108	120	17	55	$\phi 8$ deep 15
80	45	14	80	120	120	155	21	40	40	RC1/4	$\phi 20 \times 1.8DP$ bottom hole $\phi 10$	126	140	20	67	$\phi 10$ deep 20
100	56	14	100	150	150	190	25	47	47	RC1/4	$\phi 20 \times 1.8DP$ bottom hole $\phi 10$	140	154	25	85	$\phi 10$ deep 20

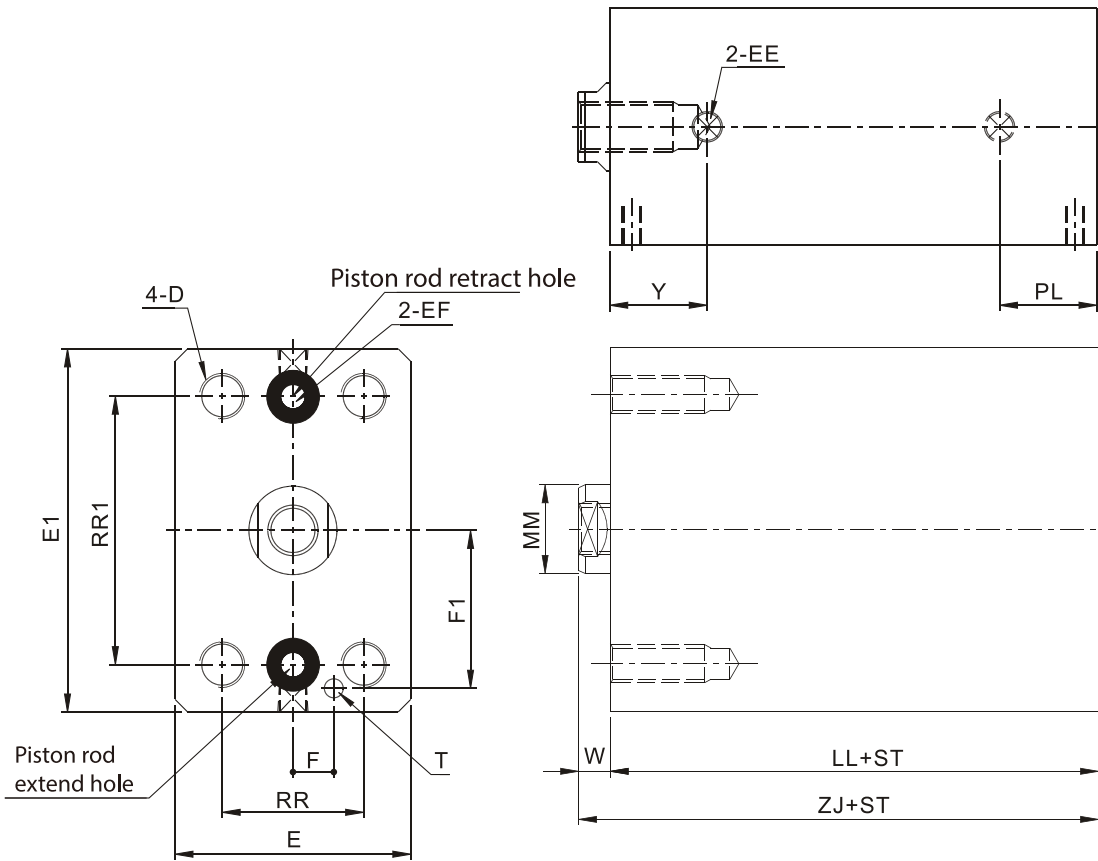
Note: IN/EX/T-slot size refer to P139 type of piston rod shaft end.

Oil port O-ring size

$\phi 32$	P8
$\phi 40$	P12
$\phi 50$	P12
$\phi 63$	P12
$\phi 80$	P16
$\phi 100$	P16

EXTERNAL DIMENSIONS

- JEXP-FC-T-IN Internal thread,rod manifold block,thread installation



Symbol Bore	MM	W	RR	E	RR1	E1	D	Y	PL	EE	EF	LL	ZJ	F	F1	T
32	18	8	35	55	60	82	M8×1.25deep15	28	26	RC1/16	φ11×1.4DPbottom holeφ5	76	84	11	37	φ3 deep6
40	22	10	42	65	75	105	M10×1.5deep20	29.5	27	RC1/8	φ16×1.8DPbottom holeφ8	85	95	13	46	φ5 deep10
50	28	10	45	75	85	115	M12×1.75deep30	31	31	RC1/8	φ16×1.8DPbottom holeφ8	95	105	13	50	φ6 deep10
63	36	12	65	95	100	130	M16×2.0deep35	37	37	RC1/8	φ16×1.8DPbottom holeφ8	108	120	17	55	φ8 deep15
80	45	14	80	120	120	155	M20×2.5deep40	40	40	RC1/4	φ20×1.8DPbottom holeφ10	126	140	20	67	φ10 deep20
100	56	14	100	150	150	190	M24×3.0deep50	47	47	RC1/4	φ20×1.8DPbottom holeφ10	140	154	25	85	φ10 deep20

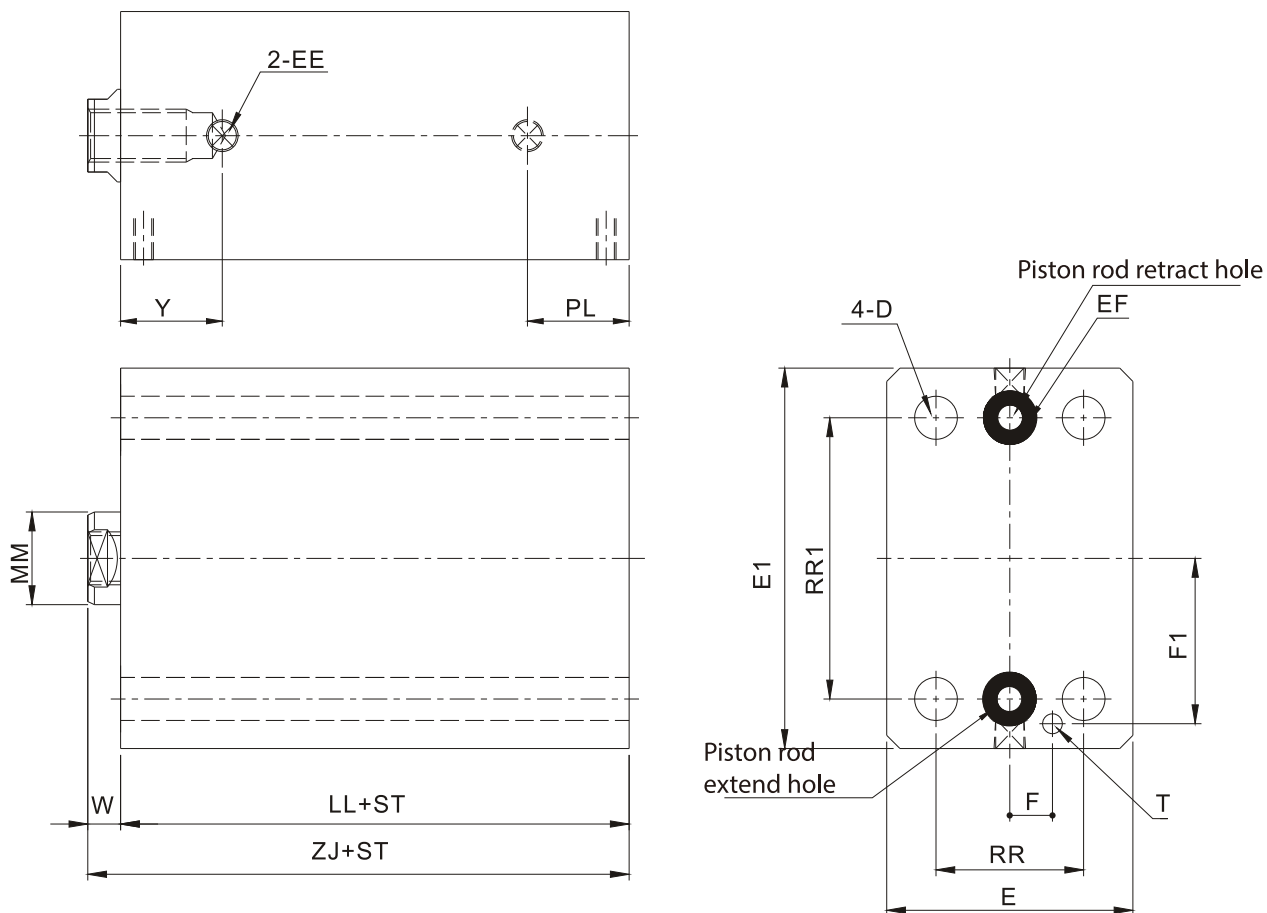
Note:IN/EX/T-slot size refer to P139 type of piston rod shaft end.

Oil port O-ring size

∅32	P8
∅40	P12
∅50	P12
∅63	P12
∅80	P16
∅100	P16

EXTERNAL DIMENSIONS

- JEXP-RC-H-IN Internal thread, head manifold block, through-hole installation



Symbol Bore	MM	W	RR	E	RR1	E1	D	Y	PL	EE	EF	LL	ZJ	F	F1	T
32	18	8	35	55	60	82	9	28	26	RC1/16	φ11x1.4DPbottom holeφ5	76	84	11	37	φ3 deep6
40	22	10	42	65	75	105	11	29.5	27	RC1/8	φ16x1.8DPbottom holeφ8	85	95	13	46	φ5 deep10
50	28	10	45	75	85	115	13	31	31	RC1/8	φ16x1.8DPbottom holeφ8	95	105	13	50	φ6 deep10
63	36	12	65	95	100	130	17	37	37	RC1/8	φ16x1.8DPbottom holeφ8	108	120	17	55	φ8 deep15
80	45	14	80	120	120	155	21	40	40	RC1/4	φ20x1.8DPbottom holeφ10	126	140	20	67	φ10 deep20
100	56	14	100	150	150	190	25	47	47	RC1/4	φ20x1.8DPbottom holeφ10	140	154	25	85	φ10 deep20

Note: IN/EX/T-slot size refer to P139 type of piston rod shaft end.

Oil port O-ring size

∅32	P8
∅40	P12
∅50	P12
∅63	P12
∅80	P16
∅100	P16

Tie-rod
Hydraulic
Cylinder

Mold
Hydraulic
Cylinders

Swivel &
Clamp
Hydraulic
Cylinders

Booster
Cylinders
&
Unclamping
cylinders

ISO
Specifications
Cylinders

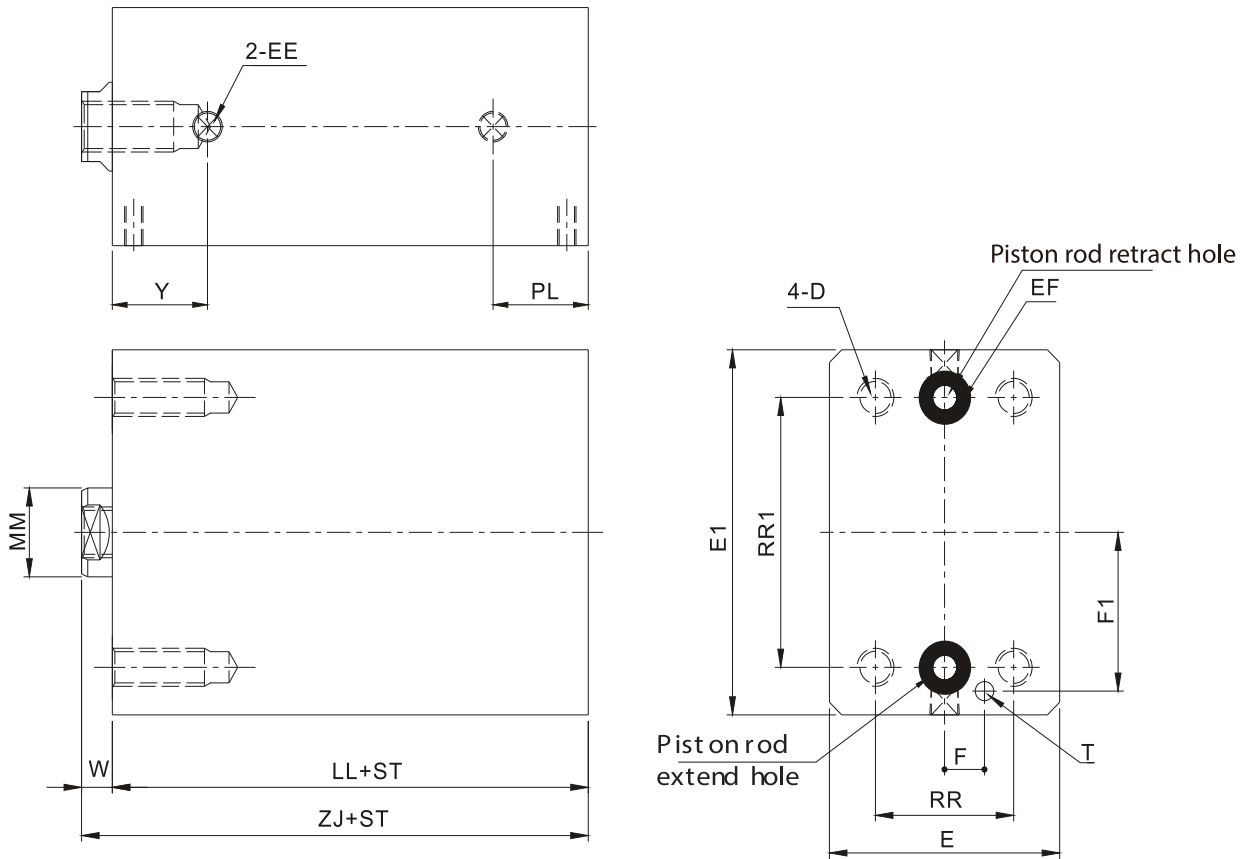
Round
Hydraulic
Cylinders

Specific
Hydraulic
Cylinders

Systems
&
Fittings

EXTERNAL DIMENSIONS

- JEXP-RC-T-IN Internal thread, head manifold block, thread installation



Symbol Bore	MM	W	RR	E	RR1	E1	D	Y	PL	EE	EF	LL	ZJ	F	F1	T
32	18	8	35	55	60	82	M8x1.25deep15	28	26	RC1/16	φ11x1.4DPbottom holeφ5	76	84	11	37	φ3 deep6
40	22	10	42	65	75	105	M10x1.5deep20	29.5	27	RC1/8	φ16x1.8DPbottom holeφ8	85	95	13	46	φ5 deep10
50	28	10	45	75	85	115	M12x1.75deep30	31	31	RC1/8	φ16x1.8DPbottom holeφ8	95	105	13	50	φ6 deep10
63	36	12	65	95	100	130	M16x2.0deep35	37	37	RC1/8	φ16x1.8DPbottom holeφ8	108	120	17	55	φ8 deep15
80	45	14	80	120	120	155	M20x2.5deep40	40	40	RC1/4	φ20x1.8DPbottom holeφ10	126	140	20	67	φ10 deep20
100	56	14	100	150	150	190	M24x3.0deep50	47	47	RC1/4	φ20x1.8DPbottom holeφ10	140	154	25	85	φ10 deep20

Note:IN/EX/T-slot size refer to P139 type of piston rod shaft end.

Oil port O-ring size

∅32	P8
∅40	P12
∅50	P12
∅63	P12
∅80	P16
∅100	P16