

Duplex/Multiposition Cylinders

SERIES Products Content



JQS Duplex/Multiposition Cylinders

P.225

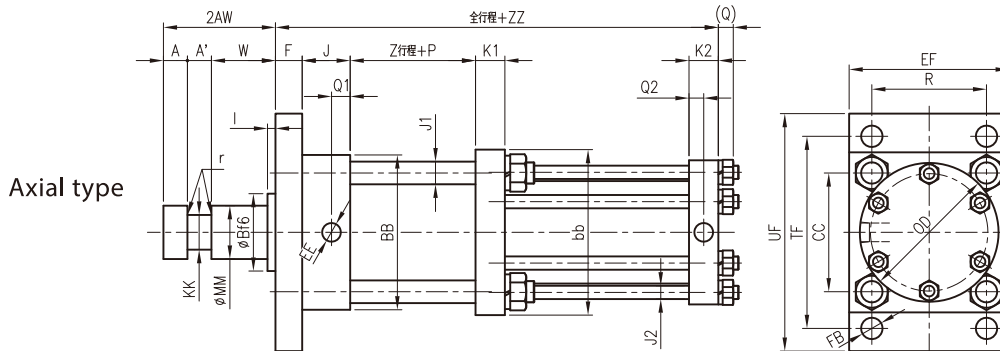
ORDER INDICATION

Series	Shaft end type	Installation type	Working pressure	Shaft diameter	Large cylinder bore	Small cylinder bore	Buffer type	Total stroke	Z stroke
order indication	JQS	N	FA	160	C	220 / 140	H	150	Z50

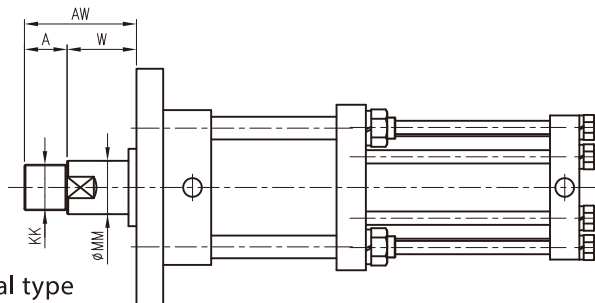
working pressure 160kgf/cm²
 FA : Front flange type
 Standard inner diameter 100~300
 Please refer to the size table for details
 All are back cover buffered
 Please mark the journey of the cylinder (Z travel range is 5~50)
 Please mark the full itinerary (Full range :150~500)
 N: Axial type
 S: External dental type
 Cylinder shaft diameter please refer to the size table
 Please refer to the size table for details of large cylinder bore

2 stage cylinder

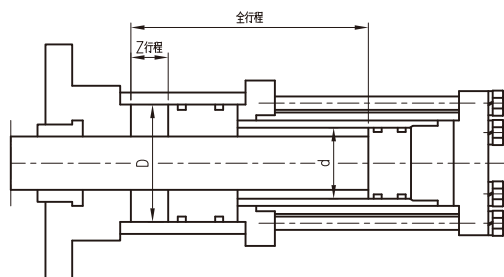
【JQS series】φ100~φ300



Axial type



: External dental type

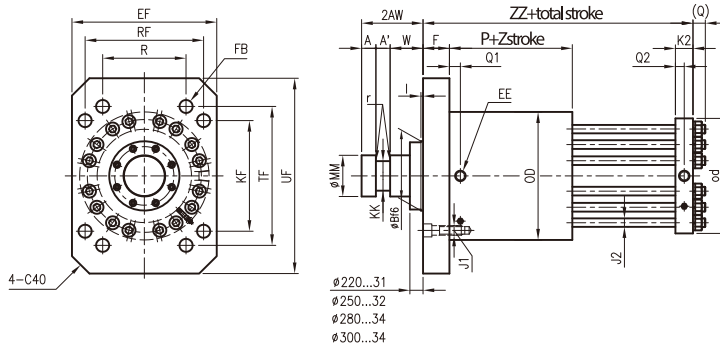


THEORETICAL OUTPUT TABLE

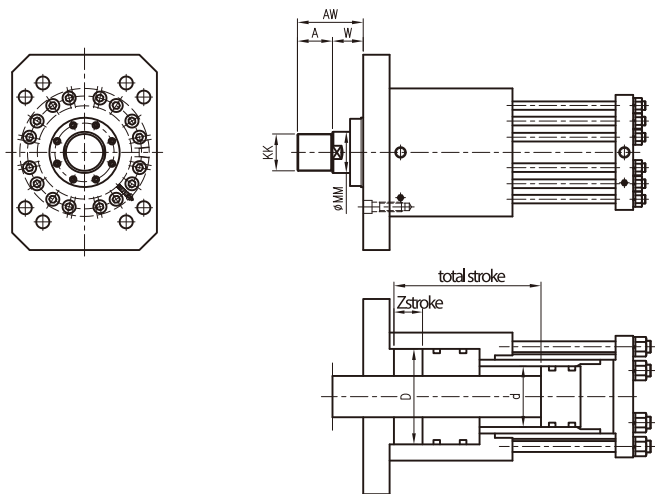
unit:mm

Bore		Shaft diameter MM	Axial type				External dental type																						Flange mounting bolt	Q					
D	d		KK ^{-0.2 -0.3}	A ^{-0.2 -0.3} A' ^{+0.5 +0.3}	H	2AW	F	A	W	AW	B	I	F	J	K1	K2	P	ZZ	UF	EF	TF	R	BB	bb	cc	φ	Q1	Q2			EE	r	J1	J2	FB
100	63	45	31	15	45	75	M40×1.5	45	35	80	70	5	35	50	42	42	120	273	220	145	180	100	136	145	104	145	18	18	Rc3/4	2.0	20	16	22	M20	22
110	70	50	35	20	50	90	M45×1.5	50	35	85	80	5	35	54	46	42	120	282	235	160	196	115	150	160	110	160	22	22	Rc3/4	2.0	22	16	22	M20	22
125	80	56	38	20	50	90	M50×1.5	56	40	96	85	5	37	54	52	42	125	294	255	175	210	125	165	175	126	175	22	22	Rc3/4	2.0	24	18	26	M24	25
140	90	63	43	20	60	100	M58×2	63	40	103	90	5	41	60	58	42	130	309	295	195	240	140	185	195	140	192	22	22	Rc3/4	3.0	27	18	26	M24	25
150	90	67	46	25	60	110	M62×2	67	50	117	105	5	42	64	62	42	130	314	305	212	254	150	200	212	154	192	24	22	Rc3/4	3.0	30	18	33	M30	25
160	100	70	49	25	65	115	M65×2	70	50	120	105	5	46	64	66	42	140	332	335	224	275	160	212	224	160	206	24	22	Rc3/4	3.5	30	20	33	M30	26
180	110	80	55	25	65	115	M75×2	80	55	135	115	5	50	74	75	42	150	361	365	250	300	180	236	250	180	220	28	22	Rc3/4	4.0	33	20	33	M30	26
200	125	90	60	30	70	130	M85×2	90	60	150	125	5	55	78	84	42	156	376	405	280	335	210	265	280	198	240	32	22	Rc3/4	5.0	36	22	39	M36	29

Axial type



External dental type



Tie-rod Hydraulic Cylinder

Mold Hydraulic Cylinders

Swivel & Clamp Hydraulic Cylinders

Booster Cylinders & Unclamping cylinders

ISO Specifications Cylinders

Round Hydraulic Cylinders

Specific Hydraulic Cylinders

Systems & Fittings

THEORETICAL OUTPUT TABLE

unit:mm

Bore		Shaft diameter MM	Axial type				External dental type																						Flange mounting bolt	Q			
D	d		KK ^{-0.2 -0.3}	A ^{-0.2 -0.3} A' ^{+0.5 +0.3}	H	2AW	KK	A	W	AW	B	I	F	K2	P	ZZ	UF	EF	KF	R	TF	RF	φ	φ	Q1	Q2	EE	r			J1	J2	FB
220	140	100	70	35	80	150	M90×2	90	75	165	170	6	62	45	221	334	460	360	268	202	338	290	310	280	30	22	Rc3/4	5.0	22	22	33	M30	29
250	150	110	78	35	80	150	M100×2	100	75	175	190	6	67	50	241	359	500	392	308	224	390	328	338	304	30	25	Rc3/4	5.0	24	24	39	M36	30
280	180	120	88	40	90	170	M110×2	110	80	190	200	7	72	60	271	388	560	440	336	240	440	360	380	358	30	30	Rc3/4	5.0	27	27	45	M42	34
300	180	130	95	40	90	170	M120×2	120	80	200	215	7	77	60	286	403	600	470	356	260	450	382	408	358	30	30	Rc3/4	5.0	30	27	45	M42	34

Rotary Cylinders

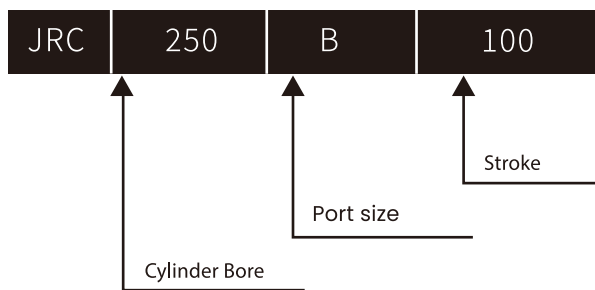
SERIES Products Content



JRC Rotary Cylinders

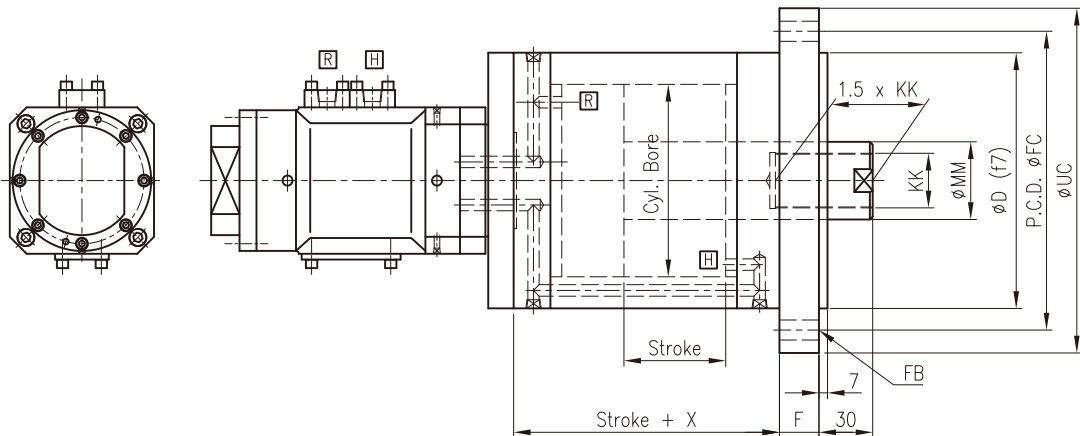
P.227

ORDER INDICATION



Port sizes

When ordering, please also specify the maximum rotation speed.



Model No.	Cyl. Bore	MM	KK	D	FC	UC	F	FB	X
JRC-125	125	70	M40xP1.5	190	230	260	25	8-φ18	185
JRC-150	150	80	M50xP1.5	215	265	305	25	8-φ22	176
JRC-180	180	90	M50xP2	255	305	345	30	12-φ22	194
JRC-200	200	90	M60xP2	280	340	395	30	8-φ30	196
JRC-230	230	100	M70xP2	310	370	425	30	12-φ30	212
JRC-250	250	100	M70xP2	330	390	445	35	12-φ30	230
JRC-280	280	110	M75xP2	360	430	490	35	12-φ33	240
JRC-300	300	110	M75xP2	400	470	530	40	16-φ33	260
JRC-330	330	120	M80xP2	430	510	580	40	12-φ39	270
JRC-350	350	120	M80xP2	460	540	610	45	16-φ39	280
JRC-400	400	150	M100xP2	510	590	660	50	16-φ39	304

*We can manufacture up to 400mm Cylinder.