

JTC THREADED-BODY SINGLE ACTING HYDRAULIC CYLINDERS



- Maximum working pressure is 500kgf/cm²
- Action mode: hydraulic ejection, internal spring on the rod side always enters.

FEATURE

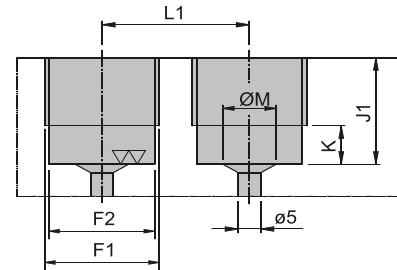
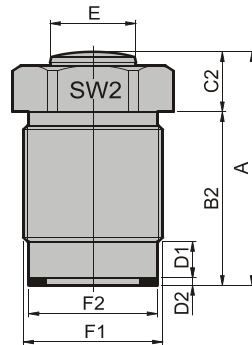
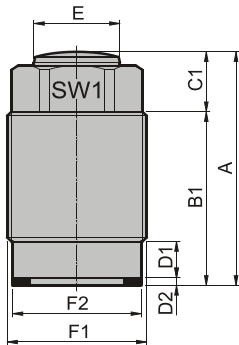
Bore(mm)		12	16	20	25
Stroke(mm)		10	12	15	16
Output (kgf) (working pressure)	100kgf/cm ²	110	200	310	490
	500kgf/cm ²	570	1010	1570	2460
min. spring return(kg)		2.8	5	7.8	12.3
Volume (cm ³)		1.13	2.41	4.71	7.85
min. working pressure(kgf/cm ²)		10			
Fuid		mineral oil ISO-VG32			

ORDER INDICATION

JTC	25	A		1	
Series	Bore	End rod type		Cylinder type	
Threaded-body single acting hydraulic cylinders	12:12mm	A: Round	B: Internal thread	1: SW1 small hexagon (standard)	2: SW2 big hexagon
	16:16mm				
	20:20mm				
	25:25mm				

EXTERNAL DIMENSIONS

- A end rod- round
- A-1 small hexagon
- A-2 big hexagon
- Base size
- SW small hexagon



Tie-rod Hydraulic Cylinder

Mold Hydraulic Cylinders

Swivel & Clamp Hydraulic Cylinders

Booster Cylinders & Unclamping cylinders

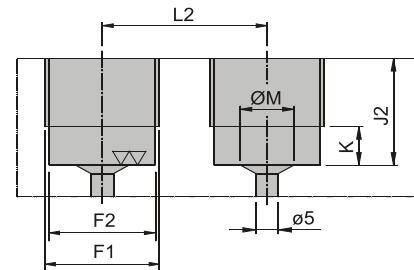
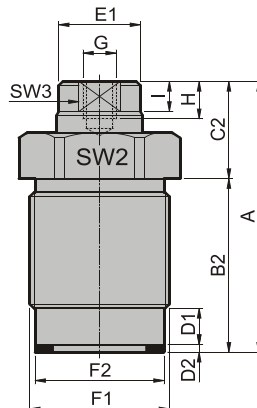
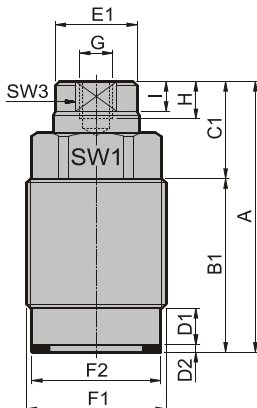
ISO Specifications Cylinders

Round Hydraulic Cylinders

Specific Hydraulic Cylinders

Systems & Fittings

- B end rod- Internal thread
- B-1 small hexagon
- B-2 big hexagon
- SW2 big hexagon



Symbol	Bore	A	B1	B2	C1	C2	D1	D2	E	F1	F2	G	H	I
		A	12	38.5	29.5	26.5	9	12	7	1.5	12	M22 × 1.5	20	—
A	16	47	34.5	34.5	12.5	12.5	8	1.5	16	M26 × 1.5	24	—	—	—
A	20	56.5	42.5	42.5	14	14	8	1.5	20	M30 × 1.5	28	—	—	—
A	25	60	45	45	15	15	11	2	25	M38 × 1.5	36	—	—	—
B	12	45.5	29.5	26.5	16	19	7	1.5	11	M22 × 1.5	20	M6 × 1.0	7	5.5
B	16	53	34.5	34.5	18.5	18.5	8	1.5	15	M26 × 1.5	24	M6 × 1.0	7	5.5
B	20	66	42.5	42.5	23.5	23.5	8	1.5	19	M30 × 1.5	28	M8 × 1.25	9	6
B	25	69	45	45	24	24	11	2	23	M38 × 1.5	36	M8 × 1.25	9	7

Symbol	Bore	J1		J2		K	L1	L2	M		SW1	SW2	SW3
		Min	Max	Min	Max	Max	Min	Min	Min	Max			
A	12	16.5	26.5	16.5	25	8	25	31	9	12	18	24	—
	16	20.5	31	20.5	33	9	30	34	12	16	22	27	—
	20	24.5	39.5	24.5	42	9	35	40	14	20	26	32	—
	25	28.5	42	28.5	44.5	11	43	52	18	25	33	41	—
B	12	16.5	26.5	16.5	25	8	25	31	9	12	18	24	10
	16	20.5	31	20.5	33	9	30	34	12	16	22	27	13
	20	24.5	39.5	24.5	42	9	35	40	14	20	26	32	17
	25	28.5	42	28.5	44.5	11	43	52	18	25	33	41	19

JHSP HIGH PRESSURE SUPPORT CLAMPING CYLINDERS



- Maximum working pressure is 500kgf/c m²
- End rod diameter: 25, 32, 40mm
- End rod type: A- always discharge; B- always enter
- Cylinder type: SD- basic, MF- flange

FEATURE

Series	JHSP25A	JHSP25B
Bore(mm)	25	
Stroke(mm)	12	
min.working pressure(kgf/c m ²)	100	
working force	Min: 3kg.	Min: 5kg.
Output (500kgf/cm ²)	2000kgf	

ORDER INDICATION

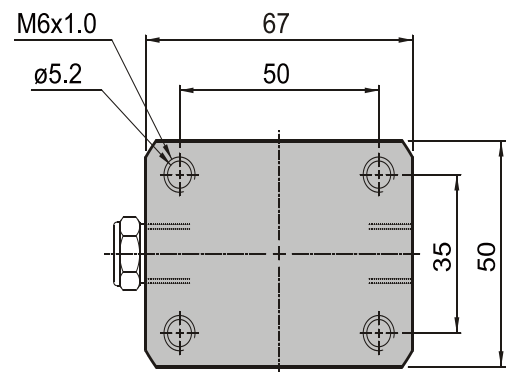
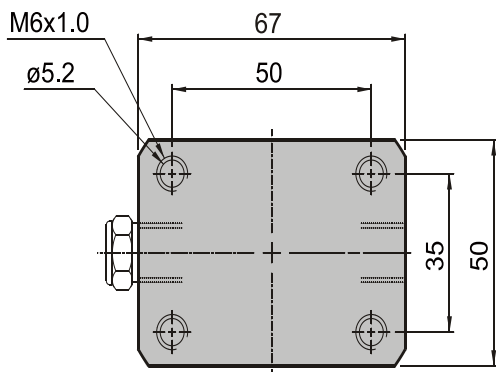
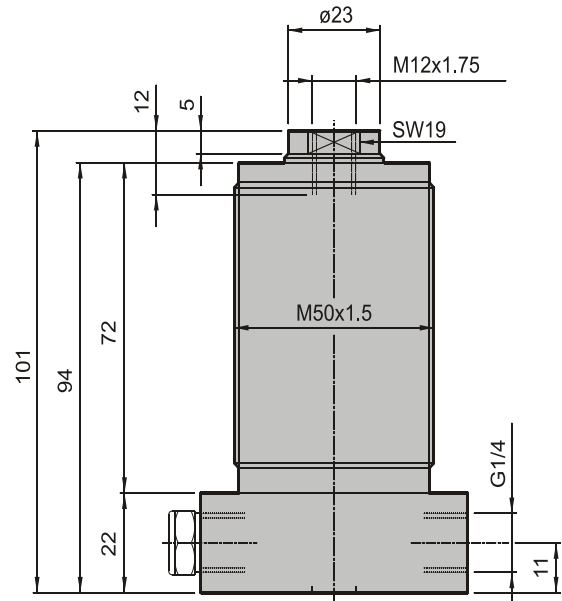
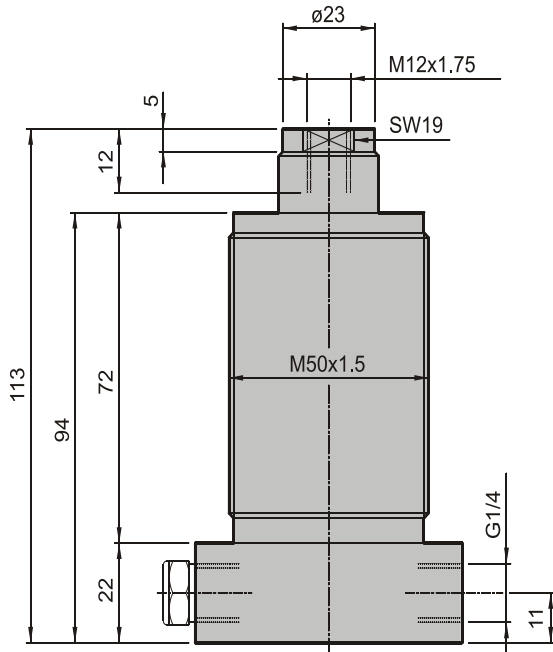
JHSP	25	A	SD
Series	Bore	End rod type	Cylinder type
High pressure support clamping cylinders	25:25mm	A:always discharge	SD:basic
	32:32mm	B:always enter	MF:flange
	40:40mm		

EXTERNAL DIMENSIONS

■ SD Basic

● 25A always discharge

● 25B always enter



Tie-rod Hydraulic Cylinder

Mold Hydraulic Cylinders

Swivel & Clamp Hydraulic Cylinders

Booster Cylinders & Unclamping cylinders

ISO Specifications Cylinders

Round Hydraulic Cylinders

Specific Hydraulic Cylinders

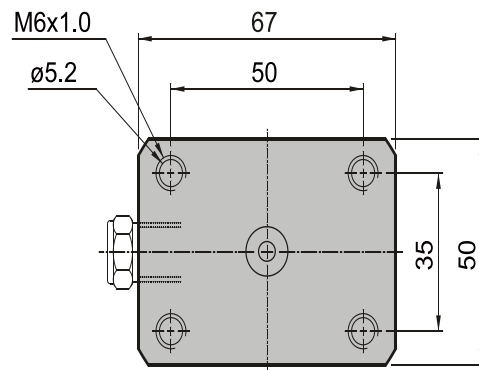
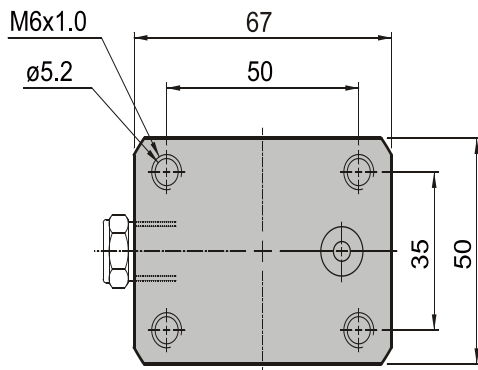
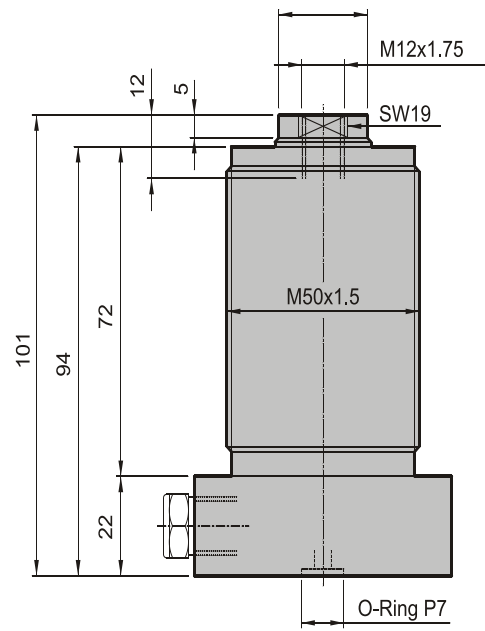
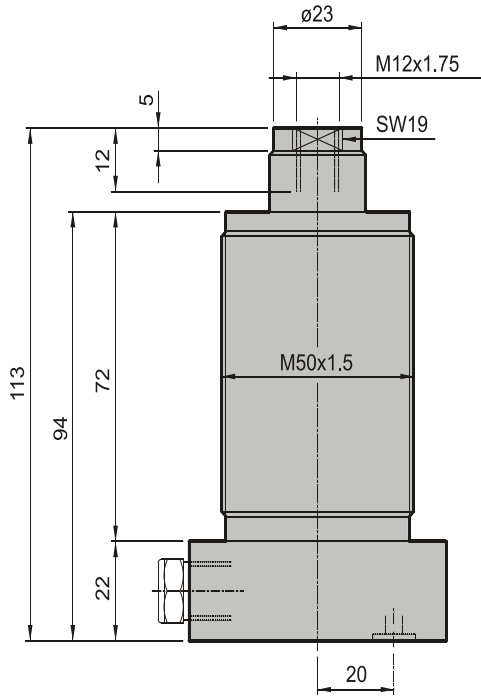
Systems & Fittings

EXTERNAL DIMENSIONS

■ MF Flange

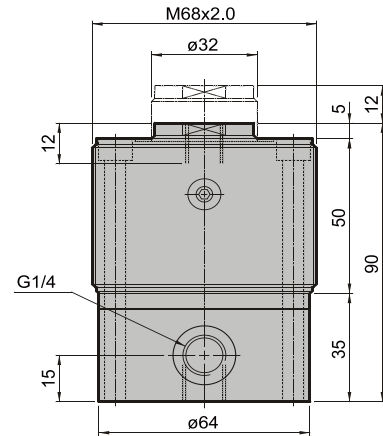
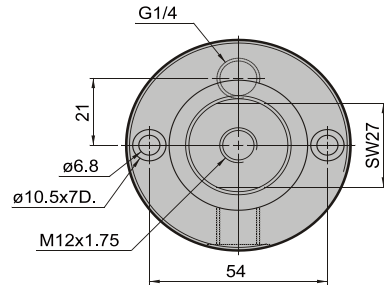
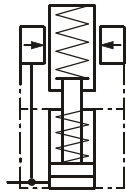
● 25A always discharge

● 25B always enter



EXTERNAL DIMENSIONS

- 32B-SD Basic(Max.stroke 12mm)



Tie-rod Hydraulic Cylinder

Mold Hydraulic Cylinders

Swivel & Clamp Hydraulic Cylinders

Booster Cylinders & Unclamping cylinders

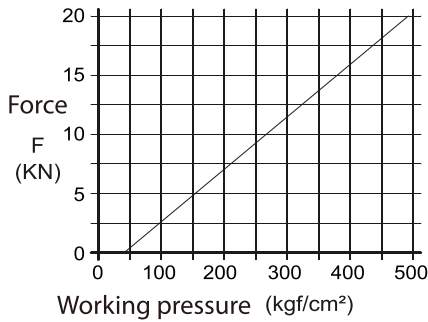
ISO Specifications Cylinders

Round Hydraulic Cylinders

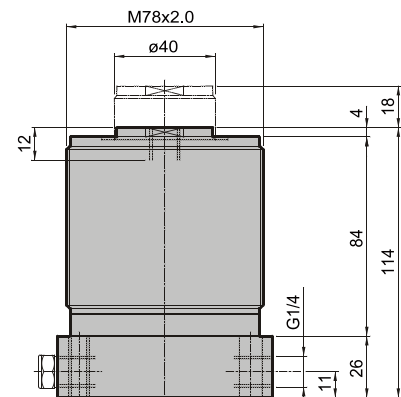
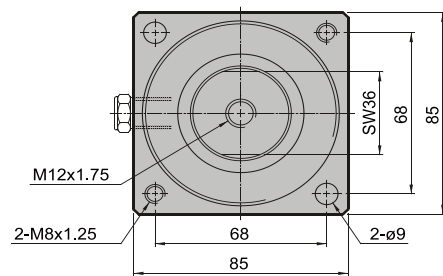
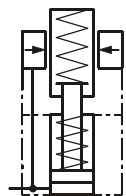
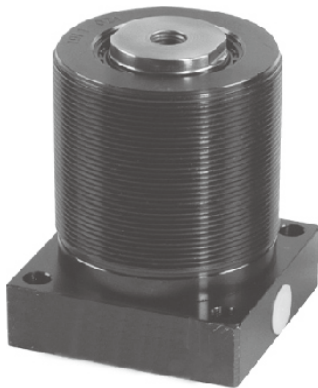
Specific Hydraulic Cylinders

Systems & Fittings

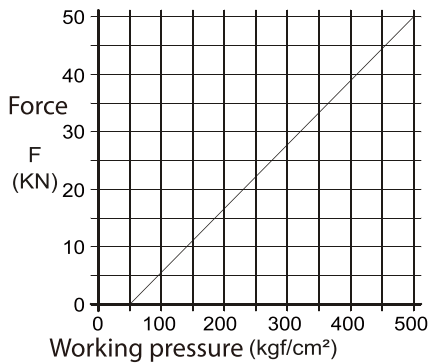
- working pressure & force



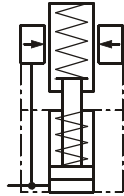
- 40B-SD Basic(Max.stroke 18mm)



- working pressure & force



JLSP LOW PRESSURE SUPPORT CLAMPING CYLINDERS

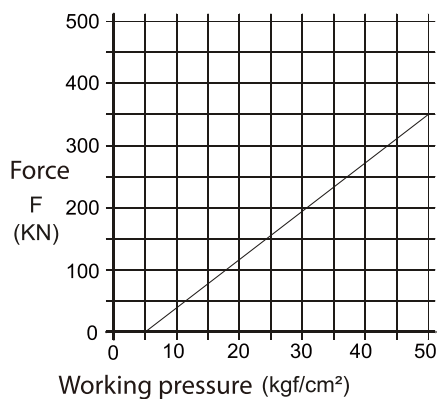


- Maximum working pressure is 70kgf/c m²
- End rod diameter: 16mm
- End rod type: always enter
- Cylinder type: SD- basic, MF- fange

ORDER INDICATION

JLSP	16	A	SD
Series	Bore	End rod type	Cylinder type
Low pressure support clamping cylinders	16:16mm	always discharge	SD:basic MF:flange

- working pressure & force



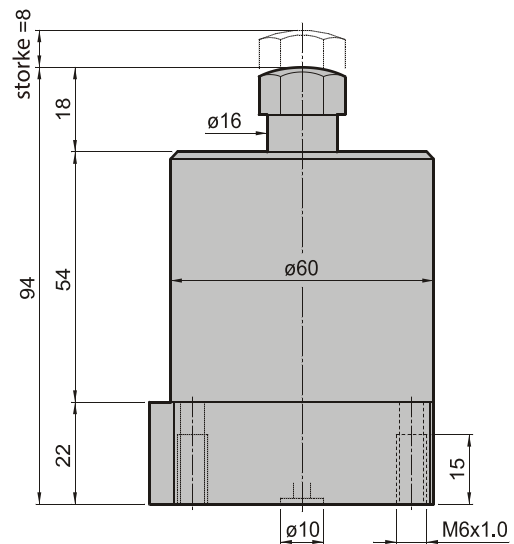
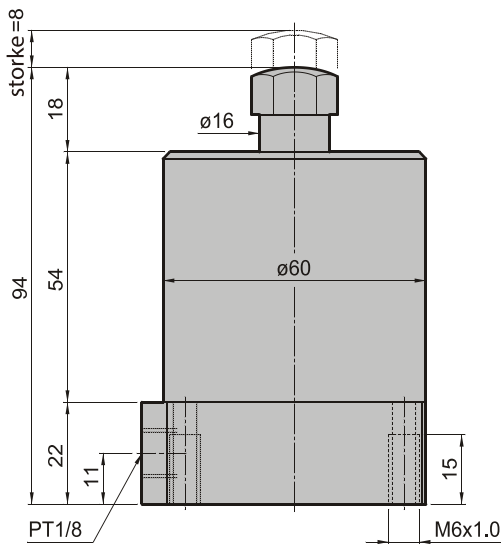
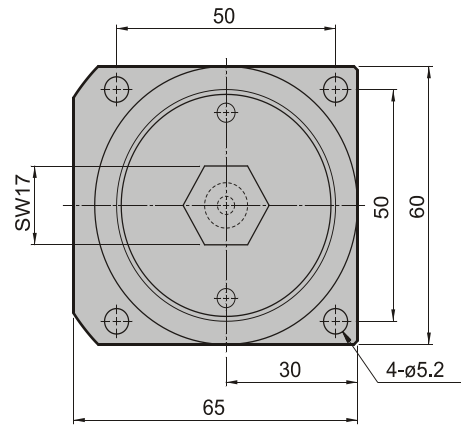
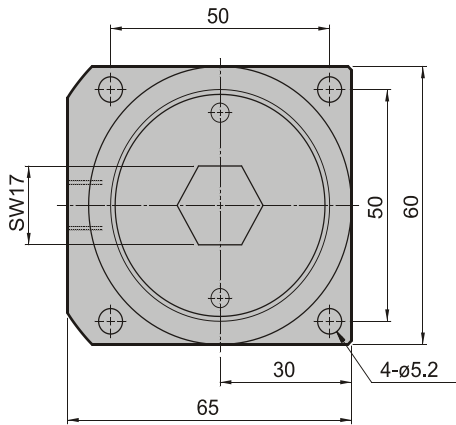
EXTERNAL DIMENSIONS

■ SD Basic

● 16A always discharge

■ MF Flange

● 16A always enter



Tie-rod Hydraulic Cylinder

Mold Hydraulic Cylinders

Swivel & Clamp Hydraulic Cylinders

Booster Cylinders & Unclamping cylinders

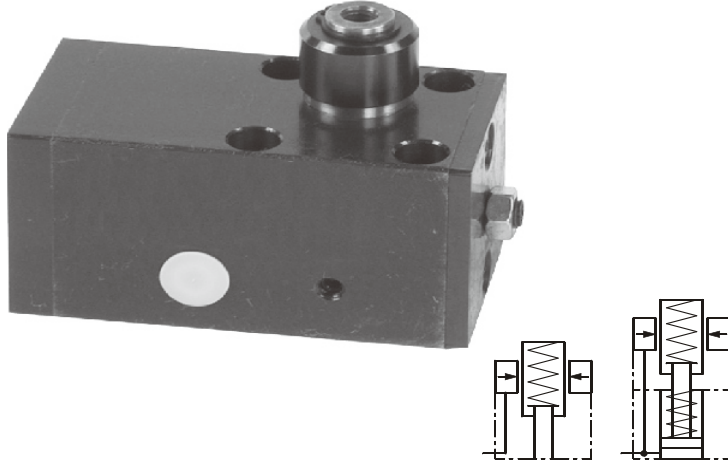
ISO Specifications Cylinders

Round Hydraulic Cylinders

Specific Hydraulic Cylinders

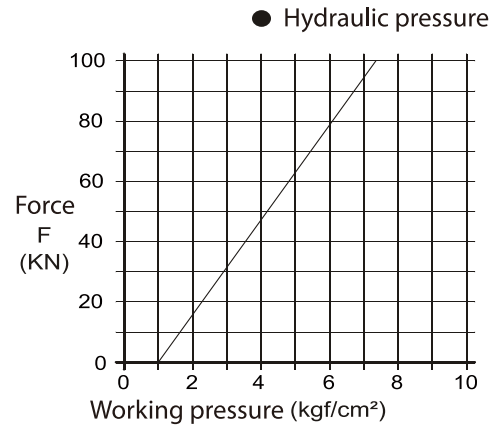
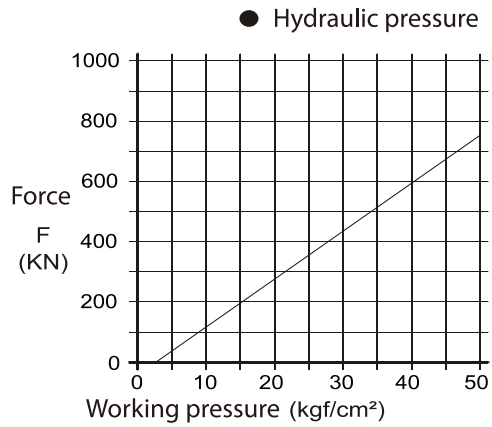
Systems & Fittings

JSP-AH AIR-HYDRAULIC SUPPORT CLAMPING CYLINDERS

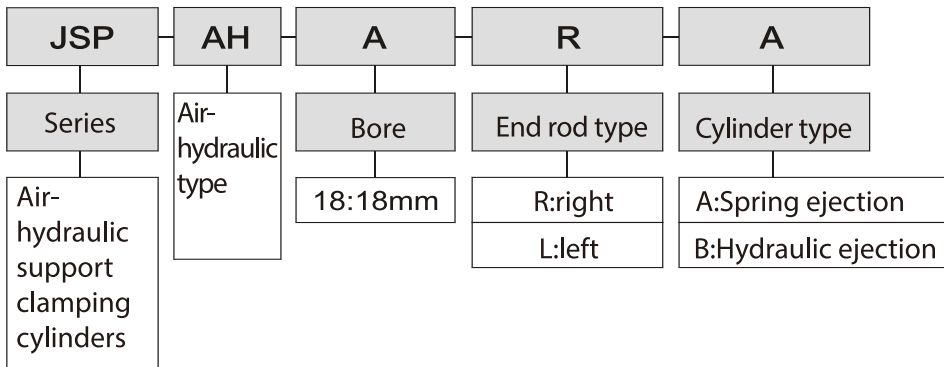


FEATURE

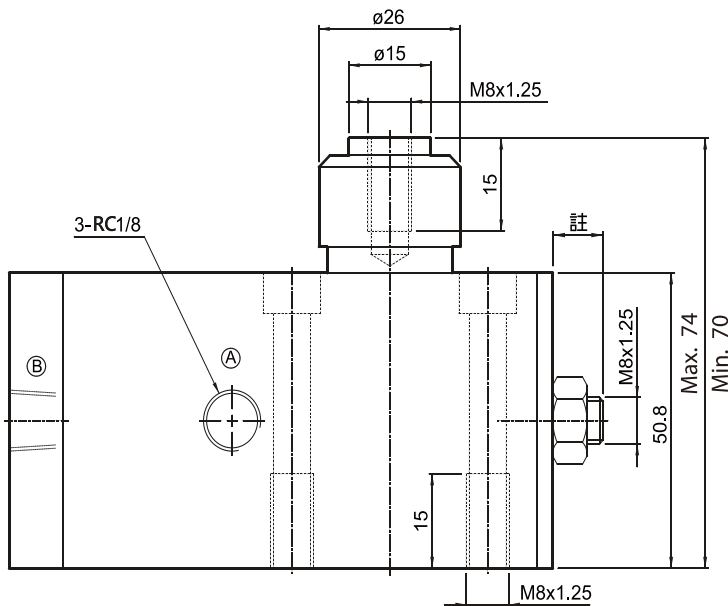
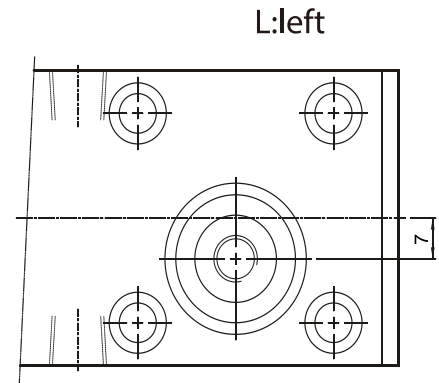
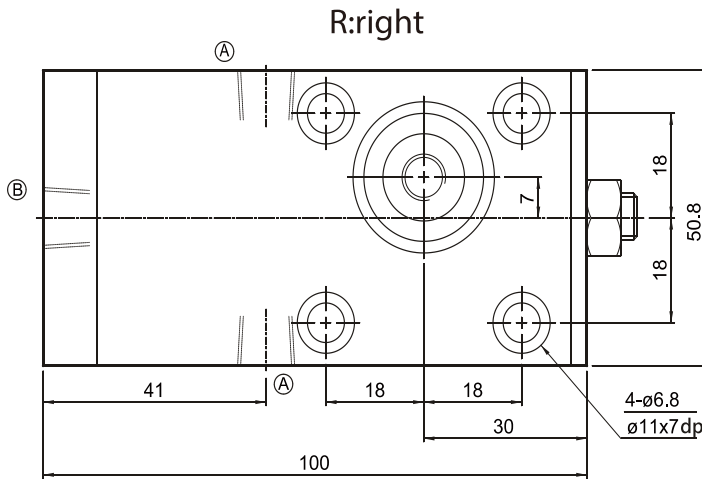
- working pressure & force



ORDER INDICATION



EXTERNAL DIMENSIONS



Note* With A, B type adjustment screw

Ⓐ: spring ejection- adjust inwards

Ⓑ: hydraulic ejection- adjust outwards

Tie-rod
Hydraulic
Cylinder

Mold
Hydraulic
Cylinders

Swivel &
Clamp
Hydraulic
Cylinders

Booster
Cylinders
&
Unclamping
cylinders

ISO
Specifications
Cylinders

Round
Hydraulic
Cylinders

Specific
Hydraulic
Cylinders

Systems
&
Fittings