

# Swivel & Clamp Hydraulic Cylinders

## SERIES Products Content



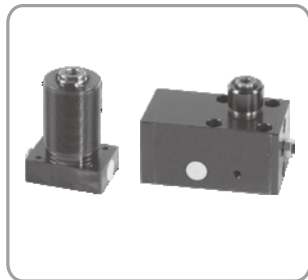
**NOS2** Standard Swivel and clamp cylinders (new)  $\varnothing 25 \sim \varnothing 63$  . . . . . P230

**OS4** Lever clamp cylinders  $\varnothing 32 \sim \varnothing 50$  . . . . . P242



**JHPS** High-pressure swivel & clamp cylinders  $\varnothing 25 \sim \varnothing 63$  . . . . . P246

**JTC** High-pressure single acting cylinders  $\varnothing 12 \sim \varnothing 25$  . . . . . P251



**JHSP** High-pressure support cylinders  $\varnothing 25 \sim \varnothing 40$  . . . . . P253

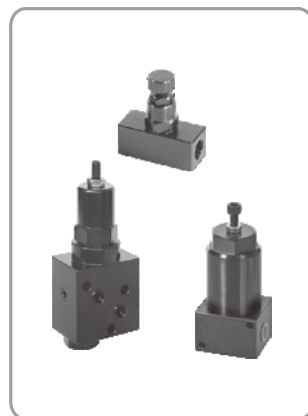
**JLSP** Low-pressure support cylinders  $\varnothing 16$  . . . . . P257

**JSP-AH** Air hydraulic support cylinder  $\varnothing 18$  . . . . . P259



**JABP** Air booster pump 6, 10, 20, 44 . . . . . P261

**JHB** Hydraulic booster . . . . . P263



**JLSV** Low-pressure sequence valve . . . . . P265

**JHSV** High-pressure sequence valve . . . . . P266

**JPRV** Pressure reducing valve . . . . . P267

**JFCV** Flow control valve (mini)  $\varnothing 25 \sim \varnothing 63$  . . . . . P268

Tie-rod Hydraulic Cylinder

Mold Hydraulic Cylinders

Swivel & Clamp Hydraulic Cylinders

Booster Cylinders & Unclamping cylinders

ISO Specifications Cylinders

Round Hydraulic Cylinders

Specific Hydraulic Cylinders

Systems & Fittings