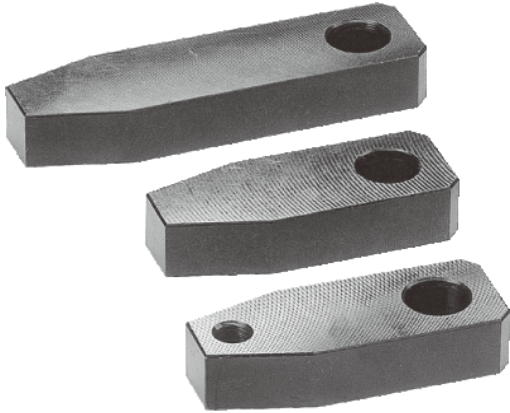


ACCSEERIES

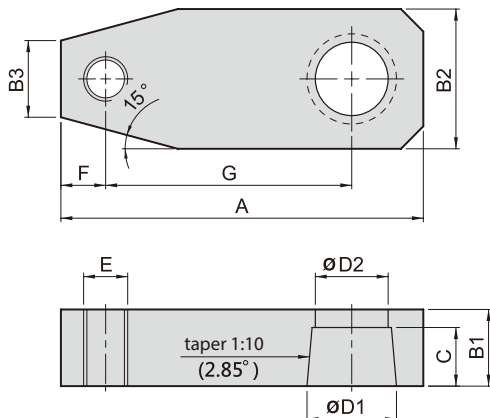


- Use with swivel and clamp cylinders JHSC
There are three specifications can use:
- A: standard tapping
- B: standard toothless
- C: extended toothless

ORDER INDICATION

HSC	25	D	A
series	bore	taper sleeve	type
swivel and clamp cylinders	25:25mm	S: single side	A: standard tapping
	32:32mm		B: standard toothless
	40:40mm		C: extended toothless
	50:50mm		
	63:63mm		

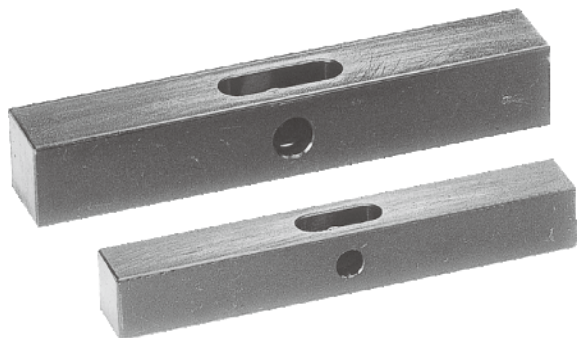
EXTERNAL DIMENSIONS



symbol bore	A		
	A: standard tapping	B: standard toothless	C: extended toothless
25	74	74	100
32	81	81	110
40	86	86	120
50	96	96	130
63	114	114	150

symbol bore	B1	B2	B3	C	D1	D2	E	F	G
25	15	27	15	13	18	15	M10x1.5	10	50
32	17	31	17	14	20	17	M10x1.5	10	55
40	18	31	17	15	22.4	19	M10x1.5	10	60
50	20	37	19	16	28	21	M12x1.75	12	65
63	23	48	24	18	35	27	M16x2.0	15	75

ACCSEERIES



- Use with swivel and clamp cylinders: JASC & JHSC
- There are two specifications can use:
A: standard
B: extended

Tie-rod Hydraulic Cylinder

Mold Hydraulic Cylinders

Swivel & Clamp Hydraulic Cylinders

ORDER INDICATION

JASC	25	S	A
series	bore	taper sleeve	type
swivel and clamp cylinders	25:25mm	D: both side	A: standard
	32:32mm		B: extended
	40:40mm		
	50:50mm		
	63:63mm		

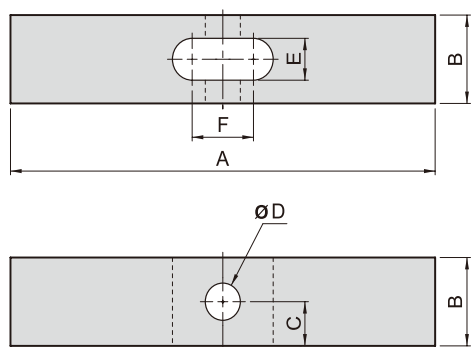
JHSC	25	S	A
series	bore	taper sleeve	type
swivel and clamp cylinders	25:25mm	D: both side	A: standard
	32:32mm		B: extended
	40:40mm		
	50:50mm		
	63:63mm		

Booster Cylinders & Unclamping cylinders

ISO Specifications Cylinders

Round Hydraulic Cylinders

EXTERNAL DIMENSIONS

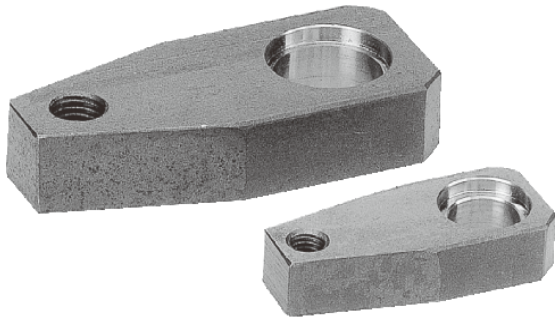


symbol	A		B	C	D	E	F
	A: standard	B: extended					
bore							
JASC-32							
JASC-40	140	200	19	9.5	8	9	16
JHSC-25							
JASC-50							
JASC-63	160	230	22.2	11.1	8	10	19
JHSC-32							
JHSC-40	160	230	22.2	11.1	10	10	21
JHSC-50	180	260	25.4	11.1	12	12	26
JHSC-63	200	—	31.8	15.9	15	15	33

Specific Hydraulic Cylinders

Systems & Fittings

ACCSEERIES

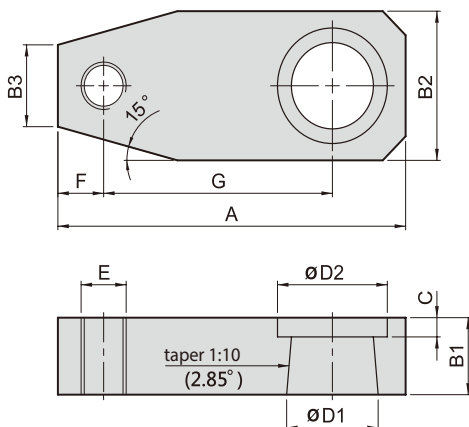


- Use with high-pressure swivel and clamp cylinders JHPS

ORDER INDICATION

JHPS	25	A
series	bore	type
High-pressure swivel and clamp cylinders	25:25mm	A: standard tapping
	32:32mm	
	40:40mm	
	50:50mm	
	63:63mm	

EXTERNAL DIMENSIONS



symbol bore	A standard tapping	B1	B2	B3	C	D1
25	76	16	31	16	3.5	20
32	96	20	37	19	4	25
40	114	23	48	24	4	32
50	140	28	60	30	5	40
63	177	34	78	40	6	50

symbol bore	D2	E	F	G
25	24	M10x1.5	10	50
32	29	M12x1.75	12	65
40	36	M16x2.0	15	75
50	46	M16x2.0	15	95
63	55	M20x2.5	18	120

ACCSEERIES



• Use with lever clamp cylinders JHLC

Tie-rod Hydraulic Cylinder

Mold Hydraulic Cylinders

Swivel & Clamp Hydraulic Cylinders

Booster Cylinders & Unclamping cylinders

ISO Specifications Cylinders

Round Hydraulic Cylinders

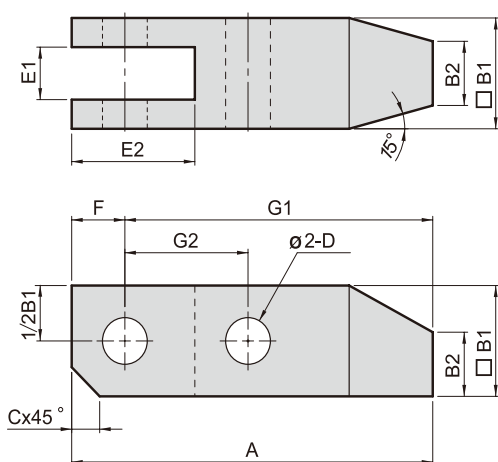
Specific Hydraulic Cylinders

Systems & Fittings

ORDER INDICATION

JHLC	25	A
series	bore	type
Lever clamp cylinders	25:25mm	A: standard (sloped)
	32:32mm	B: standard (no sloped)
	40:40mm	C: extended (no sloped)
	50:50mm	
	63:63mm	

EXTERNAL DIMENSIONS



symbol bore	A			B1	B2
	A: standard	B: standard	C: extended		
25	64	64	100	19	11
32	64	64	100	19	11
40	77	77	110	22.2	13
50	90	90	130	25.4	15
63	110	110	—	31.8	19

symbol bore	C	D	E1	E2	F	G1	G2
	25	5	8	9	21.5	9	55
32	5	8	9	21.5	9	55	22
40	6	10	10	25	11	66	26
50	7	12	11	29	13	77	30
63	9	15	15	36	16	94	36

ACCSEERIES

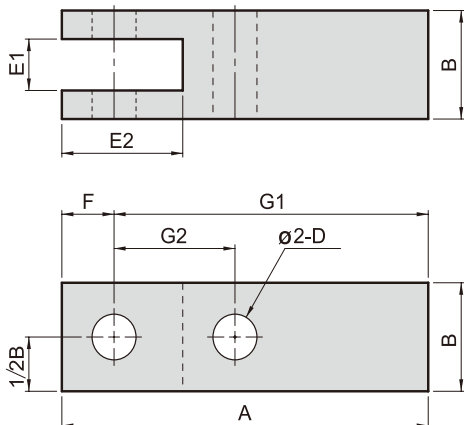


- Use with lever clamp cylinders JALC

ORDER INDICATION

JALC	25	A
series	bore	type
Lever clamp cylinders	25:25mm 32:32mm 40:40mm 50:50mm 63:63mm	A: standard

EXTERNAL DIMENSIONS



symbol bore	A standard	B	D	E1	E2	F	G1	G2
25	50	12.7	5	6	13	5	45	14
32	60	15.9	6	8	16	6	54	17
40	65	15.9	6	8	17	7	58	20
50	75	19	8	10	21	9	66	23
63	85	22.2	8	10	22.5	9	76	29.5

ACCSEERIES



- Provide dimensions of taper sleeve and pressure plate processing , to solve the problem that the pressure plate needs to be made by itself and cannot be taper machined
- There are two specifications can use: JHSC & JHPS

Tie-rod Hydraulic Cylinder

Mold Hydraulic Cylinders

Swivel & Clamp Hydraulic Cylinders

Booster Cylinders & Unclamping cylinders

ISO Specifications Cylinders

Round Hydraulic Cylinders

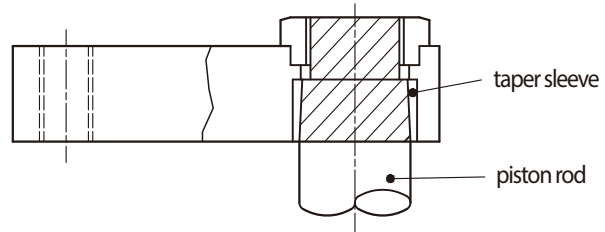
Specific Hydraulic Cylinders

Systems & Fittings

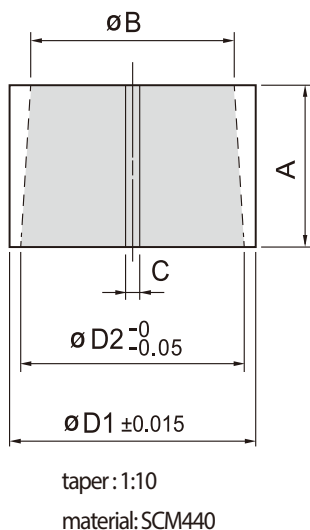
ORDER INDICATION

JHSC/JHPS	25	TS
series	bore	taper sleeve
Standard swivel and clamp cylinders High-pressure swivel and clamp cylinders	25:25mm	
	32:32mm	
	40:40mm	
	50:50mm	
	63:63mm	

TS DIAGRAM OF TAPER SLEEVE



EXTERNAL DIMENSIONS



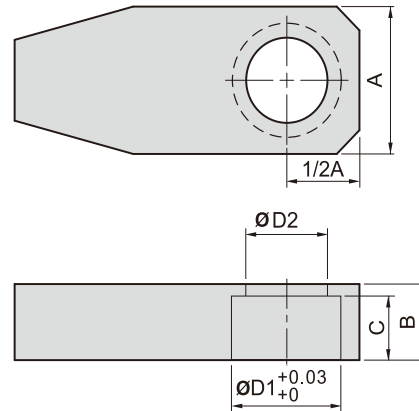
symbol bore	A	B	C	D1	D2
JHSC-25TS	13	16.7	1	20	18
JHSC-32TS	14	18.6	1	22	20
JHSC-40TS	15	20.9	1	25	22.4
JHSC-50TS	16	26.4	1	31	28
JHSC-63TS	18	33.2	1	39	35
JHPS-25TS	10	19	1	23	20
JHPS-32TS	13	23.7	1	28	25
JHPS-40TS	15	30.5	1	36	32
JHPS-50TS	18	38.2	1	45	40
JHPS-63TS	22	47.8	1	55	50

Provide dimensions of taper sleeve and pressure plate processing , to solve the problem that the pressure plate needs to be made by itself and cannot be taper machined.

ORDER INDICATION

JHSC	25	TS	B
series	bore	taper sleeve	type
Standard swivel and clamp cylinders (new)	25:25mm		B: standard toothless
	32:32mm		
	40:40mm		
	50:50mm		
	63:63mm		

EXTERNAL DIMENSIONS

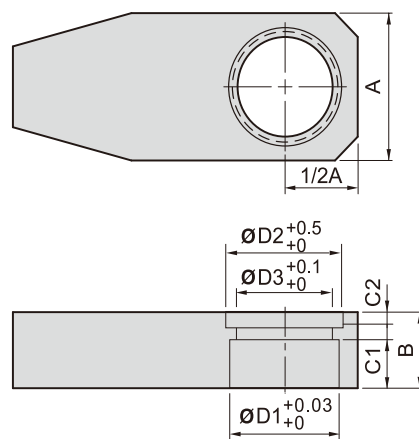


symbol bore	A	B	C	D1	D2
25	28	15	13	20	15
32	31	17	14	22	17
40	34	18	15	25	19
50	40	20	16	31	21
63	50	23	18	39	27

ORDER INDICATION

JHPS	25	TS	B
series	bore	taper sleeve	type
High-pressure swivel and clamp cylinders	25:25mm		B: standard toothless
	32:32mm		
	40:40mm		
	50:50mm		
	63:63mm		

EXTERNAL DIMENSIONS



symbol bore	A	B	C1	C2	D1	D2	D3
25	34	16	10	3.5	23	24	19.6
32	40	20	13	4	28	29	24.4
40	50	23	15	4	36	36	31.4
50	63	28	18	5	45	46	39.2
63	80	34	22	6	55	55	48.8