

CXHC3 COMPACT CYLINDERS



- CXHC3 is the upgraded product of CXHC2, the mounting holes are fixed, save customers oil circuit board space.
- CXHC3 adopts wear-resistant ring, which greatly improves the support and load resistance of the cylinder.
- The piston rod sleeve is made of imported famous brand PU material, which guarantees the wear resistance and pressure resistance.
- Direct installation without any accessories.
- Suit the mold or installation space is limited.
- There are many ways to connect the piston rod (eg:IN,EX,T)

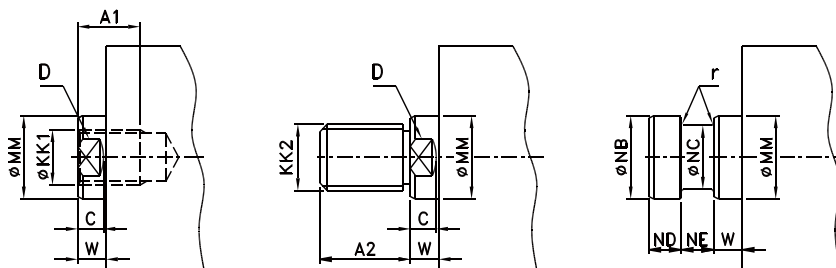
THEORETICAL FORCE

Bore (mm)	Shaft (mm)	Piston pressure area (c m ²)		Theoretical force (P=70kgf/c m ²)		Theoretical force (P=140kgf/c m ²)	
		Push	Pull	Push	Pull	Push	Pull
32	20	8.0	4.9	560	343	1120	686
40	25	12.6	7.7	880	536	1760	1072
50	30	19.6	12.6	1375	880	2750	1760
63	35	31.2	21.65	2182	1508	4343	3016
80	40	50.3	38	3519	2660	7038	5320
100	56	78.5	53.9	5498	3774	10995	7548

TYPE AND INSTALLATION FORM

Type	Mark	Graphics	Heat resistance	Graphics	Installation form
					LA foot flange
Double acting cylinder	CXHC3-A		CXHC3-A-J		

TYPE OF PISTON ROD SHAFT END



IN:Internal thread

EX:External thread

T:T-slot

Symbol	MM	KK1	A1	KK2	A2	NB	NC	ND	NE	r	C	D	W
Bore 32	20	M12×1.75	15	M16×1.5	25	20	15	12.5	12.5	1	9	17	10
40	25	M16×2.0	20	M20×1.5	30	25	19	12.5	12.5	1	9	21	10
50	30	M20×2.5	24	M24×1.5	35	30	23	12.5	12.5	1	10	27	11
63	35	M27×3.0	33	M30×1.5	45	35	25	15	15	1	11	32	13
80	40	M30×3.5	33	M36×1.5	55	40	26	15	15	2	14	37	17
100	56	M36×4.0	40	M48×1.5	70	56	38	20	20	2	15	50	17

Tie-rod Hydraulic Cylinder

Mold Hydraulic Cylinders

Swivel & Clamp Hydraulic Cylinders

Booster Cylinders & Unclamping cylinders

ISO Specifications Cylinders

Round Hydraulic Cylinders

Specific Hydraulic Cylinders

Systems & Fittings

SEAL MATERIAL

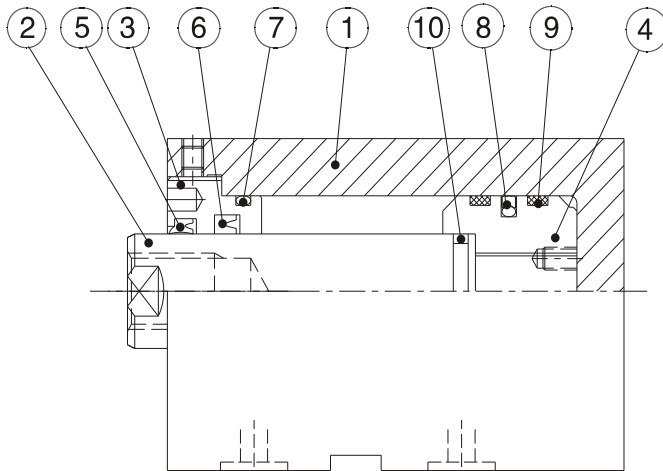
Material Symbol	(NBR)	(PU)	(FPM)
Oil	1	2	3
Mineral	○	○	○
Water solution	○	×	○
Soluble	○	×	○
Phosphate ester	×	×	○
Temperature	-10°C~+80°C		-10°C ~ 150°C
Viscosity	20~400mm ² /s { cst }		

⚠ Note:

- 1、 Mineral oil: ISO-VG32。
- 2、 If mineral oil is used, there is no need to mark it. Our company will provide standard oil seal (NBR).
- 3、 If phosphate ester oil is used or high temperature is applied, will shown as symbol 3.
- 4、 Symbol O = ok, × = cannot be used.
- 5、 Temperature of FPM must set below 150 °C when operate long time.

INTERNAL STRUCTURE AND PART NAMES

CXHC3-LA(bore 32-100)



Tie-rod Hydraulic Cylinder

Mold Hydraulic Cylinders

Swivel & Clamp Hydraulic Cylinders

Booster Cylinders & Unclamping cylinders

ISO Specifications Cylinders

Round Hydraulic Cylinders

Specific Hydraulic Cylinders

Systems & Fittings

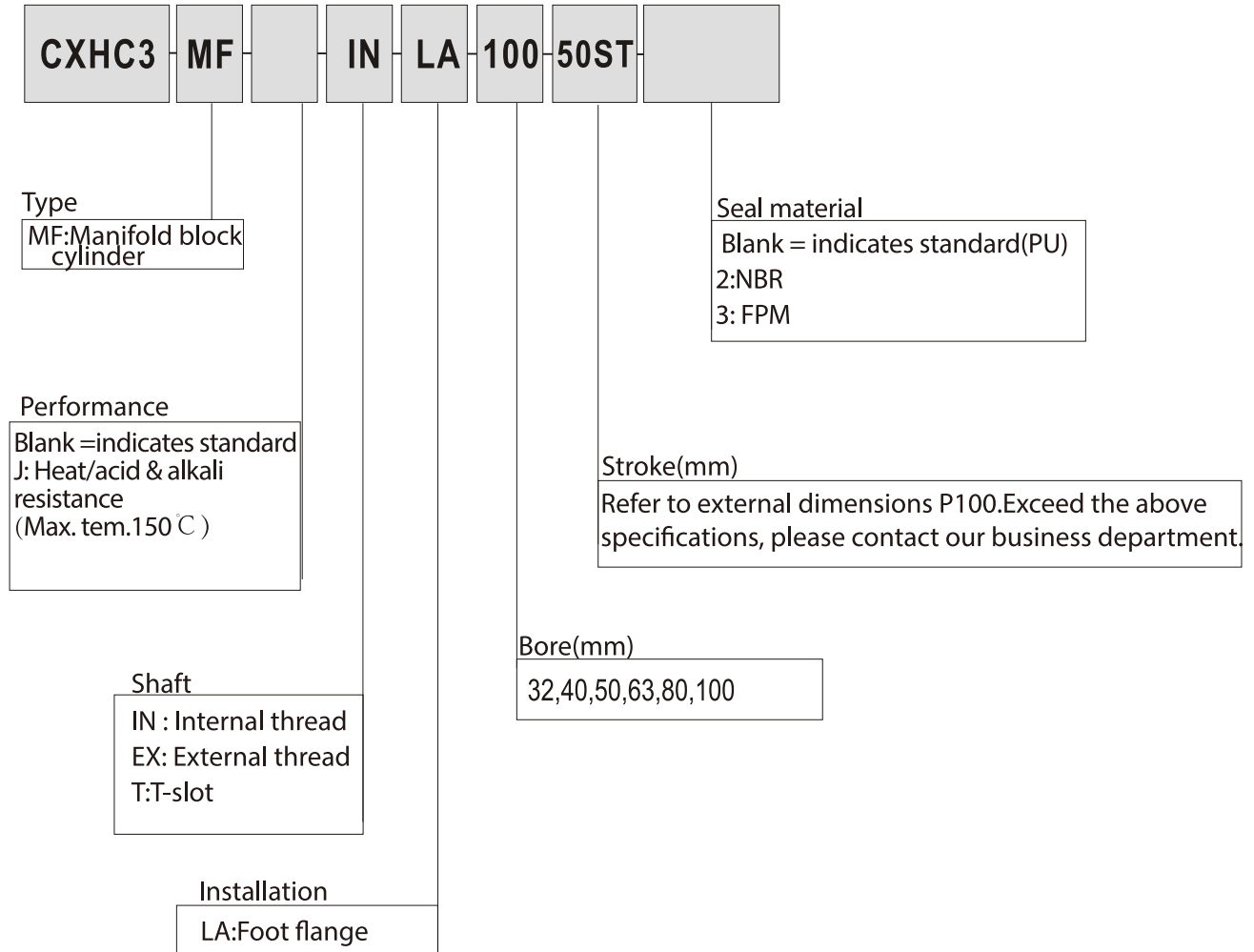
Item	Part name	Qty	Item	Part name	Qty
①	Tube	1	⑥	Rod cover seal	1
②	Rod	1	⑦	Rod cover O-ring	1
③	Rod cover	1	⑧	Piston seal	1
④	Piston	1	⑨	Wear ring	2
⑤	Rod cover dust seal	1	⑩	Piston O-ring	1

SEAL SPEC.

Item	⑤	⑥	⑦	⑧	⑩	⑫
Name Qty	Rod cover dust seal	Rod cover seal	Rod cover O-ring	Piston seal	Piston O ring	Piston backing ring
	1	1	1	1	2	2
Bore						
32	20X28X6	20X28X5	G25	32×21×4.2	P16	–
40	25X33X6	25X33X5	G35	40×29×4.2	P21	–
50	30X38X6.5	30X40X6	G45	50×39×4.2	G25	–
63	35X43X6.5	35X45X6	G58	63×52×4.2	G30	–
80	40X48X6.5	40X50X6	G75	80×69×4.2	G35	–
100	56X64X6.5	56X66X6	G95	100×84.5×6.3	G50	–

Note:1.The above form is the reference specification.

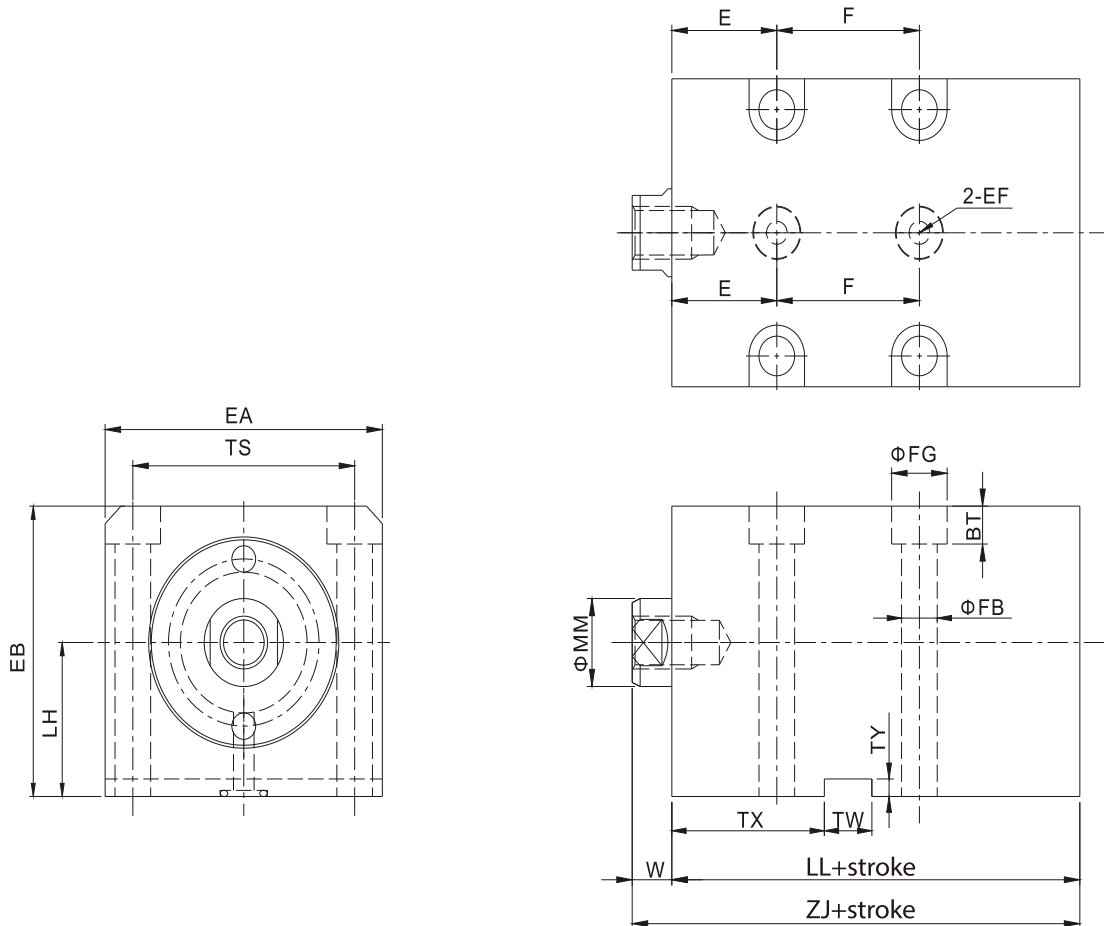
ORDER INDICATION



▲ Blank = standard, there is no need to indicate when ordering.

EXTERNAL DIMENSIONS

- CXHC3-MF-LA Manifold block,foot flange



Symbol Bore	Stroke range	MM	W	TS	EA	EF	TW	BT	FG	FB	TY	LL	ZJ	E	F	TX	EB	LH
32	≤80	20	10	56	70	Φ12x1.4DPbottom holeΦ5.2	12	8.6	14	9	4	68	78	26.5	36	38.5	66	35
40	≤110	25	10	62	80	Φ12x1.4DPbottom holeΦ5.2	12	10.8	18	11	4	72	82	28	42	43	77	42
50	≤150	30	11	74	94	Φ15x1.8DPbottom holeΦ6	14	13	20	14	4	76	87	29	46	45	87	47
63	≤150	35	13	90	114	Φ15x1.8DPbottom holeΦ7	16	15.2	23	16	4	83	96	30	52	48	100	53
80	≤150	40	17	110	134	Φ15x1.8DPbottom holeΦ9	16	15.2	23	16	4	93	110	35	54	54	119	62
100	≤150	56	17	134	160	Φ15x1.8DPbottom holeΦ9	16	17	26	18	5	98	115	38	56	58	139	72

Symbol Bore	Stroke range	LL	ZJ
32	81-200	70	80
40	111-200	71	81
50	151-250	77	88
63	151-250	87	100
80	151-250	101	118
100	151-250	108	125

O-ring spec.

Bore	Spec.
Φ32~Φ40	P9
Φ50~Φ100	P11

Note: 1.IN/EX/T size refer to P096 type of piston rod shaft end.
2.Exceed the above specifications, please contact our business department.

Tie-rod
Hydraulic
Cylinder

Mold
Hydraulic
Cylinders

Swivel &
Clamp
Hydraulic
Cylinders

Booster
Cylinders
&
Unclamping
cylinders

ISO
Specifications
Cylinders

Round
Hydraulic
Cylinders

Specific
Hydraulic
Cylinders

Systems
&
Fittings