












MOLD CYLINDERS

SERIES Products Content

	CXHC Compact cylinders $\varnothing 32 \sim \varnothing 63$ P075	
	CXHC2 Compact cylinders $\varnothing 20 \sim \varnothing 100$ P081	
	CXHC3 Compact cylinders $\varnothing 32 \sim \varnothing 100$ P096	
	MGCXHC Compact cylinder for magnetic sensors P101	
	NRCXHC Compact cylinder for magnetic sensors P113	
	NRCXHC2 Compact cylinder with NRMGCXHC non rotating piston rod P118	
	Throttle-Check valve P128	
	JECX Block cylinders $\varnothing 25 \sim \varnothing 100$ P133	
	JEXP Block cylinders $\varnothing 32 \sim \varnothing 100$ P137	
	JECR Block cylinders $\varnothing 32 \sim \varnothing 100$ P144	
	JEBC Block cylinders $\varnothing 32 \sim \varnothing 100$ P148	
	JEBL Block cylinder for magnetic sensors $\varnothing 32 \sim \varnothing 100$ P152	
	JELS Block cylinders $\varnothing 50 \sim \varnothing 100$ P168	

Tie-rod Hydraulic Cylinder

Mold Hydraulic Cylinders

Swivel & Clamp Hydraulic Cylinders

Booster Cylinders & Unclamping cylinders

ISO Specifications Cylinders

Round Hydraulic Cylinders

Specific Hydraulic Cylinders

Systems & Fittings

CXHC COMPACT CYLINDERS

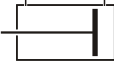





- Save installation space, the total length of the cylinder is about half of the rod cylinder with the same bore and stroke .
- Direct installation without any accessories.
- Suitable for molds, processing tools or mechanical occasions with limited installation space.

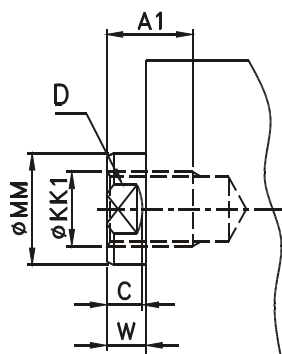
THEORETICAL FORCE

Bore (mm)	Shaft (mm)	Piston pressure area (c m ²)		Theoretical force (P=70kgf/c m ²)		Theoretical force (P=140kgf/c m ²)	
		Push	Pull	Push	Pull	Push	Pull
32	20	8.0	4.9	560	343	1120	686
40	25	12.6	7.7	880	536	1760	1072
50	30	19.6	12.6	1375	880	2750	1760
63	35	31.2	21.65	2182	1508	4343	3016

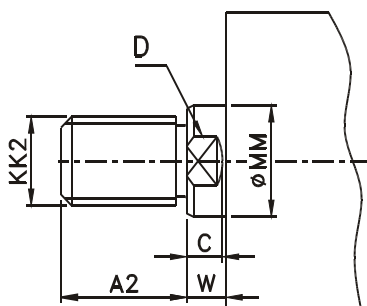
TYPE AND INSTALLATION FORM

Type	Mark	Graphics	Heat resistance	Graphics	Installation form	
					SD basic	LA foot flange
Double acting cylinder	CXHC-A		CXHC-A-J			

TYPE OF PISTON ROD SHAFT END



IN:Internal thread



EX:External thread

Symbol	MM	KK1	A1	KK2	A2	C	D	W
Bore								
32	20	M12x1.75	15	M16x1.5	25	9	17	10
40	25	M16x2.0	20	M20x1.5	30	9	21	10
50	30	M20x2.5	24	M24x1.5	35	10	27	11
63	35	M27x3.0	33	M30x1.5	45	11	32	13

SEAL MATERIAL

Material Symbol	(NBR)	(PU)	(FPM)
Oil	1	2	3
Mineral	○	○	○
Water solution	○	×	○
Soluble	○	×	○
Phosphate ester	×	×	○
Temperature	-10°C~+80°C		-10°C ~ 150°C
Viscosity	20 ~ 400mm ² /s{cst}		

▲ Note: 1.Mineral oil: ISO-VG32

2.If mineral oil is used,NBR will be used without specify selections of material.

3.If phosphate ester oil is used or high temperature is applied, will show as symbol J.

4.Symbol ○ = ok, X = cannot be used.

5.Temperature of FPM must set below 150°C when operate long time.

PRODUCT STANDARD STROKE

CXHC-SD

Stroke Bore	20	40	50	60
32	⊙	⊙	⊙	⊙
40	⊙	⊙	⊙	⊙
50	⊙	⊙	⊙	⊙
63	⊙	⊙	⊙	⊙

CXHC-LA

Stroke Bore	20	40	50	60	80	100
32	⊙	⊙				
40		⊙	⊙	⊙		
50		⊙	⊙	⊙	⊙	
63		⊙	⊙	⊙	⊙	⊙

Note: ⊙ (Indicate R order):Indicates that all parts are in stock.

2.R order:(1)The fastest delivery time, guaranteed to be shipped within 7 days.
(2) All part sizes are fully in accordance with the catalog.

Tie-rod
Hydraulic
Cylinder

Mold
Hydraulic
Cylinders

Swivel &
Clamp
Hydraulic
Cylinders

Booster
Cylinders
&
Unclamping
cylinders

ISO
Specifications
Cylinders

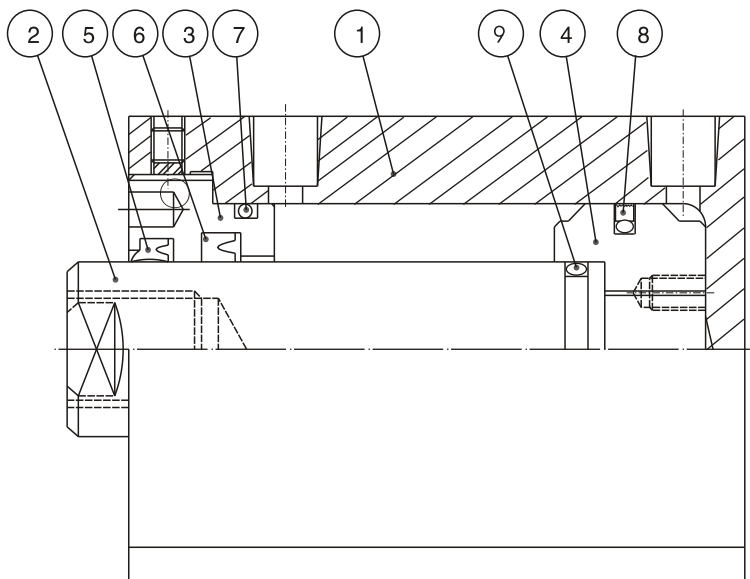
Round
Hydraulic
Cylinders

Specific
Hydraulic
Cylinders

Systems
&
Fittings

INTERNAL STRUCTURE AND PART NAMES

● Bore: $\varnothing 2 \sim \varnothing 3$



Item	Part name	Qty	Item	Part name	Qty
①	Tube	1	⑥	Rod cover seal	1
②	Rod	1	⑦	Rod cover O-ring	1
③	Rod cover	1	⑧	Piston seal	1
④	Piston	1	⑨	Piston O-ring	1
⑤	Rod cover dust seal	1			

SEAL SPEC.

Item	⑤	⑥	⑦	⑧	⑨	⑩
Name	Rod cover dust seal	Rod cover seal	Rod cover O-ring	Piston seal	Piston backing ring	Piston O ring
Bore Qty	1	1	1	1	2	1
32	20X28X6	20X28X5	G25	32 × 21 × 4.2	–	P16
40	25X33X6	25X33X5	G35	40 × 29 × 4.2	–	P21
50	30X38X6.5	30X40X6	G45	50 × 39 × 4.2	–	G25
63	35X43X6.5	35X45X6	G58	63 × 52 × 4.2	–	G30

ORDER INDICATION

CXHC	A		IN	SD	50	50ST																					
Type A: Double acting cylinder						Pilot check valve Refer to Page 129																					
						Flow regulator Refer to Page 129																					
Performance Blank =indicates standard J: Heat/acid & alkali resistance (Max. tem.150 °C)						Seal material Blank = indicates standard(NBR) 2:PU 3: FPM																					
Shaft IN : Internal thread EX: External thread						<ul style="list-style-type: none"> ● Flow regulator <table border="1" style="width: 100%; border-collapse: collapse;"> <thead> <tr> <th>Standard</th> <th>Install position</th> <th>Order indication</th> <th>Qty</th> <th>Bore</th> </tr> </thead> <tbody> <tr> <td rowspan="3" style="text-align: center;">KC</td> <td style="text-align: center;">FC</td> <td style="text-align: center;">KC-02</td> <td style="text-align: center;">x1</td> <td style="text-align: center;">φ 32~ φ 63</td> </tr> <tr> <td style="text-align: center;">RC</td> <td style="text-align: center;">KC-03</td> <td style="text-align: center;">x1</td> <td style="text-align: center;">φ 80~ φ 100</td> </tr> <tr> <td style="text-align: center;">FC/RC</td> <td style="text-align: center;">KC-04</td> <td style="text-align: center;">x1</td> <td style="text-align: center;">φ 125</td> </tr> </tbody> </table>				Standard	Install position	Order indication	Qty	Bore	KC	FC	KC-02	x1	φ 32~ φ 63	RC	KC-03	x1	φ 80~ φ 100	FC/RC	KC-04	x1	φ 125
Standard	Install position	Order indication	Qty	Bore																							
KC	FC	KC-02	x1	φ 32~ φ 63																							
	RC	KC-03	x1	φ 80~ φ 100																							
	FC/RC	KC-04	x1	φ 125																							
Installation SD:Basic (bore : 32 , 40 , 50,63) LA : Foot flange (bore : 32 , 40 , 50 ,63)						<ul style="list-style-type: none"> ● Pilot check valve <table border="1" style="width: 100%; border-collapse: collapse;"> <thead> <tr> <th>Standard</th> <th>Install position</th> <th>Order indication</th> <th>Qty</th> <th>Bore</th> </tr> </thead> <tbody> <tr> <td rowspan="3" style="text-align: center;">PCVI</td> <td style="text-align: center;">FC</td> <td rowspan="2" style="text-align: center;">PCVI-03</td> <td rowspan="2" style="text-align: center;">x1</td> <td rowspan="2" style="text-align: center;">φ 32~ φ 100</td> </tr> <tr> <td style="text-align: center;">RC</td> </tr> <tr> <td style="text-align: center;">FC/RC</td> <td style="text-align: center;">PCV-03T</td> <td style="text-align: center;">x1</td> <td style="text-align: center;">φ 125~ φ 200</td> </tr> </tbody> </table>				Standard	Install position	Order indication	Qty	Bore	PCVI	FC	PCVI-03	x1	φ 32~ φ 100	RC	FC/RC	PCV-03T	x1	φ 125~ φ 200			
Standard	Install position	Order indication	Qty	Bore																							
PCVI	FC	PCVI-03	x1	φ 32~ φ 100																							
	RC																										
	FC/RC	PCV-03T	x1	φ 125~ φ 200																							
Bore(mm) 32 , 40 , 50 , 63						Stroke (mm) Refer to stroke form Page 76																					

Tie-rod Hydraulic Cylinder

Mold Hydraulic Cylinders

Swivel & Clamp Hydraulic Cylinders

Booster Cylinders & Unclamping cylinders

ISO Specifications Cylinders

Round Hydraulic Cylinders

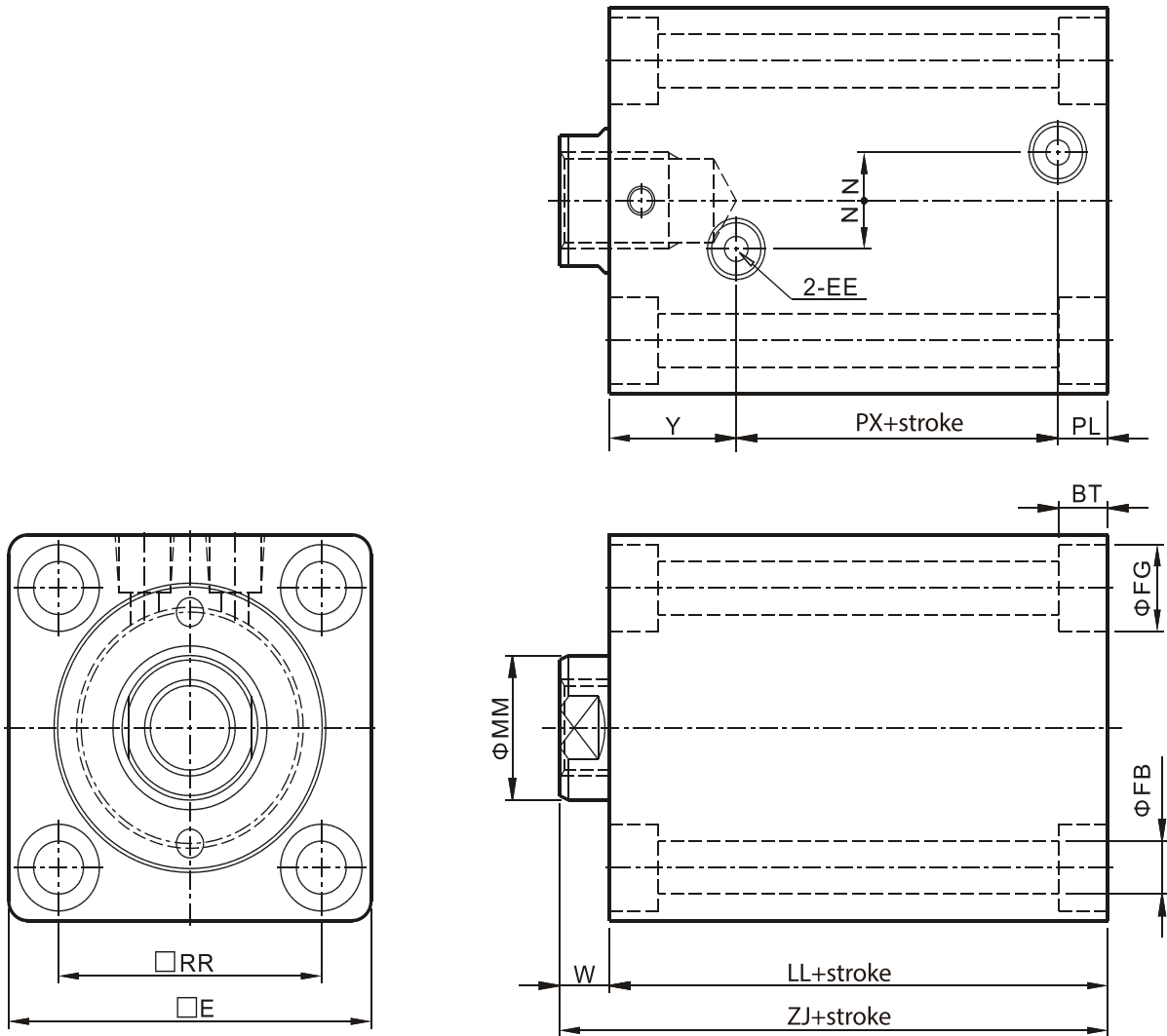
Specific Hydraulic Cylinders

Systems & Fittings

- ▲ 1.Blank =standard,there is no need to indicate when ordering.
- 2.Exceed the above specifications, please contact our business department.

EXTERNAL DIMENSIONS

- CXHC-A-SD Double acting(basic)



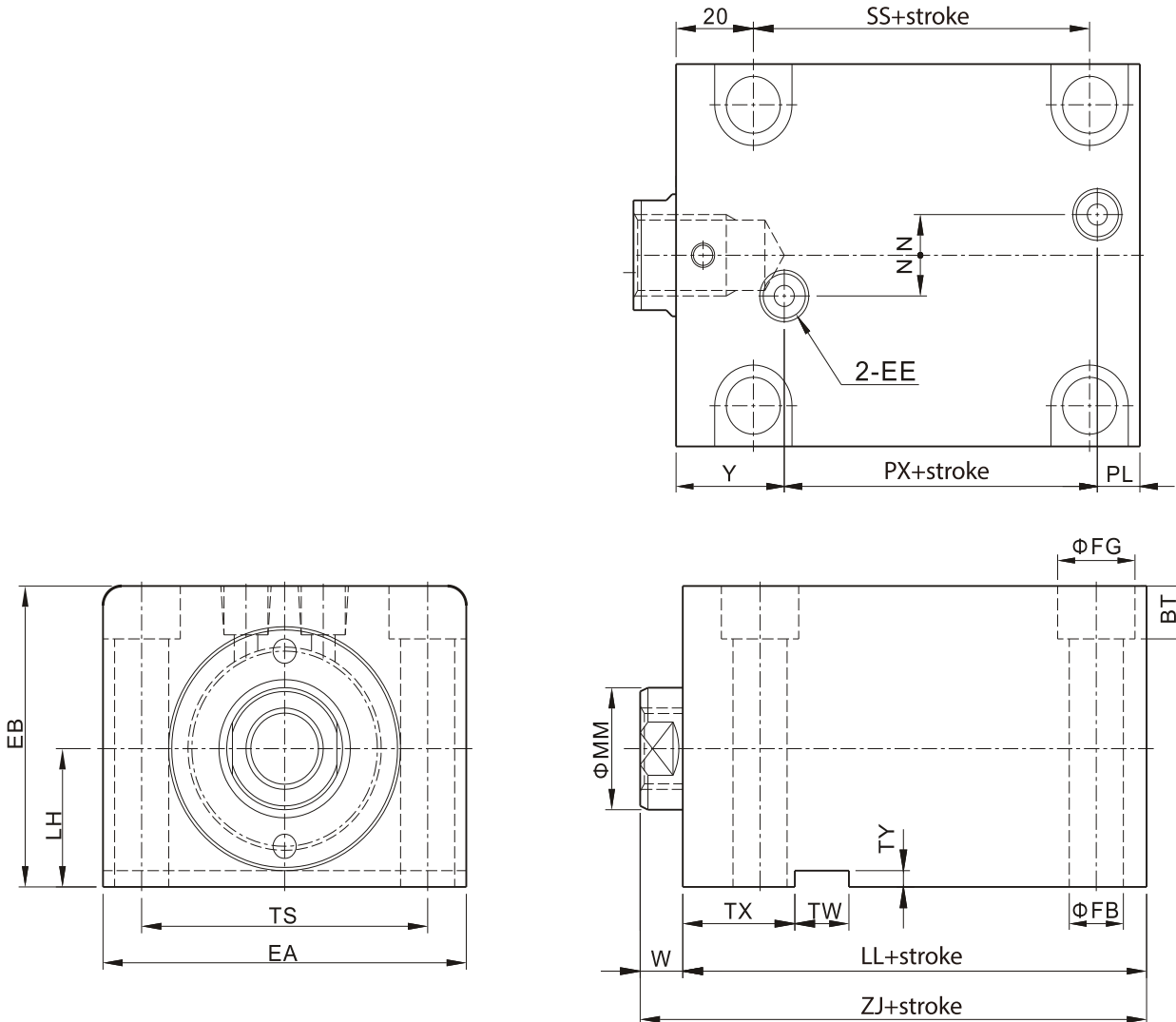
Symbol Bore	MM	W	EE	Y	PX	PL	FB	FG	BT	RR	E	LL	ZJ	N
32	20	10	RC1/4	27	16.5	10.5	7	11	6.5	47	62	54	64	10
40	25	10	RC1/4	27	17	11	9	14	8.6	52	70	55	65	10
50	30	11	RC1/4	28	21	11	11	18	10.8	58	80	60	71	10
63	35	13	RC1/4	30	26	14	14	20	13	69	94	70	83	10

Note: 1.CXHC only makes single shaft cylinder and its stroke is limited to P076 product standard form.

2.IN/EX size refer to P75 piston rod shaft end form.

EXTERNAL DIMENSIONS

- CXHC-A-LA Double acting (foot flange)



Tie-rod Hydraulic Cylinder

Mold Hydraulic Cylinders

Swivel & Clamp Hydraulic Cylinders

Booster Cylinders & Unclamping cylinders

ISO Specifications Cylinders

Round Hydraulic Cylinders

Specific Hydraulic Cylinders

Systems & Fittings

Symbol	MM	LH	EB	TS	EA	EE	FB	FG	BT	LL	ZJ	N	Y	PL	PX	TX	TW	SS	W	TY
Bore 32	20	25	56	56	70	RC1/4	9	14	8.6	54	64	10	27	10.5	16.5	28	12	24	10	4
40	25	29	64	62	80	RC1/4	11	18	10.8	55	65	10	27	11	17	28	12	23	10	4
50	30	34	74	74	94	RC1/4	14	20	13	60	71	10	28	11	21	29	14	27	11	4
63	35	42	89	90	114	RC1/4	16	23	15.2	70	83	10	30	14	26	31	16	32	13	4

Note:1.CXHC only makes single shaft cylinder and its stroke is limited to P076 product standard form.

2.When the stroke is less than 10mm (excluding), do not process the keyway (cancel the size TX,TW,TY)

3..IN/EX size refer to P75 piston rod shaft end form.