

## JABP AIR BOOSTER PUMP



- The booster pump is driven by the air pressure source, and the boosted hydraulic pressure is output as the pressure source of the cylinder
- Adjust the pressure with the air pressure regulating valve, and stop driving when the pressure is reached
- When the pressure reduce, the pump will automatically compensate. Suitable for clamping occasions

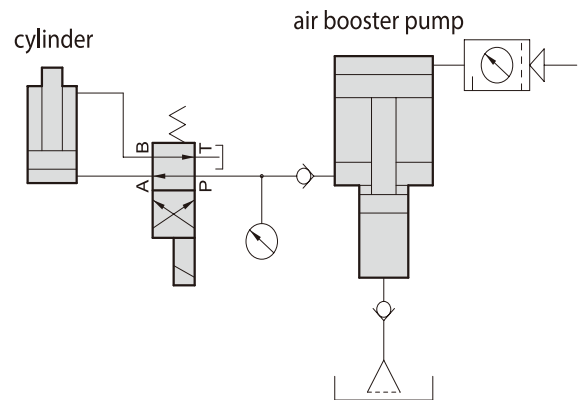
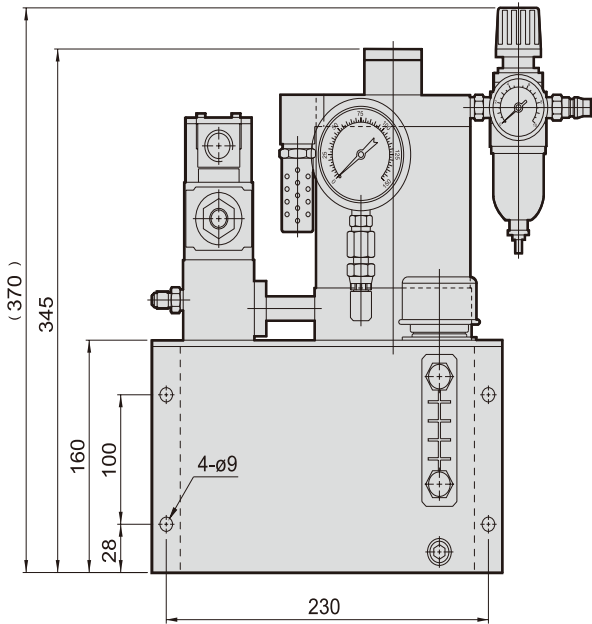
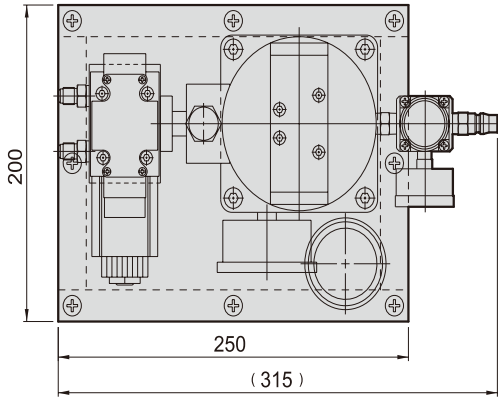
## FEATURE

Fluid	Filtered compressed air			
Max. pressure (kgf/cm <sup>2</sup> )	6			
Boost multiple	6	10	25	44
Boost pressure (kgf/cm <sup>2</sup> ) (when pressure 5kgf/cm <sup>2</sup> )	30	50	100	220
Output (ℓ /min) (when pressure 5kgf/cm <sup>2</sup> )	16	10	5	3
Volume (L)	5			
Oil	Mineral oil ISO-VG68			

## ORDER INDICATION

JABP	6	A	AC110V
Series	Boost multiple	Output	Voltage
Air booster pump	6	A: ISO flange	AC110V
	10	B: PT basic	AC220V
	25		DC12V
	44		DC24V

**EXTERNAL DIMENSIONS**



Tie-rod Hydraulic Cylinder

Mold Hydraulic Cylinders

Swivel & Clamp Hydraulic Cylinders

Booster Cylinders & Unclamping cylinders

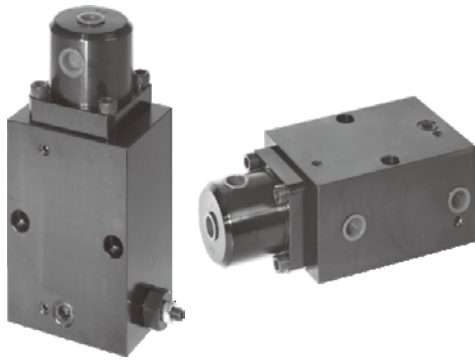
ISO Specifications Cylinders

Round Hydraulic Cylinders

Specific Hydraulic Cylinders

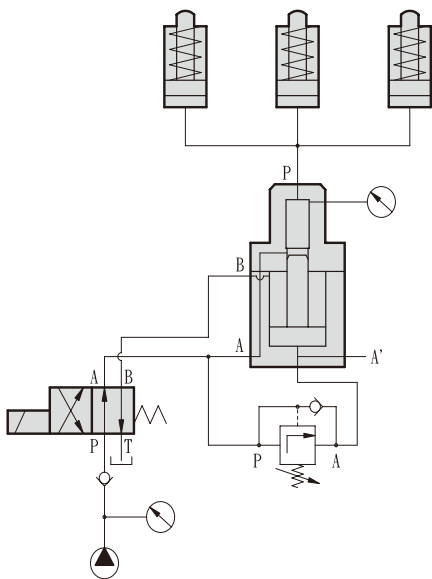
Systems & Fittings

## JHB HYDRAULIC BOOSTER



- Built-in sequence valve
- The low-pressure oil is pre-pressed first when in use, and the cylinder is pushed into the workpiece
- Low-pressure oil circuit enters the booster through the internal sequence valve, generates multiple pressure and pressurizes it to the cylinder
- According to the total capacity of the pressurized side of the cylinder, please select a larger capacity booster

## CIRCUIT DIAGRAM



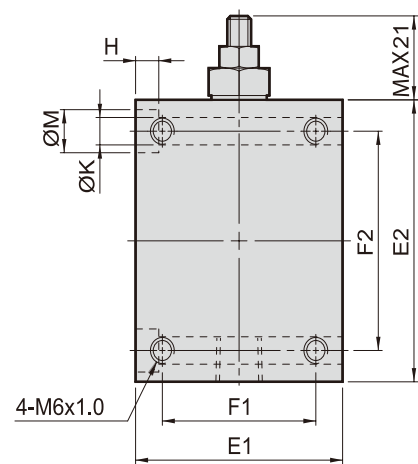
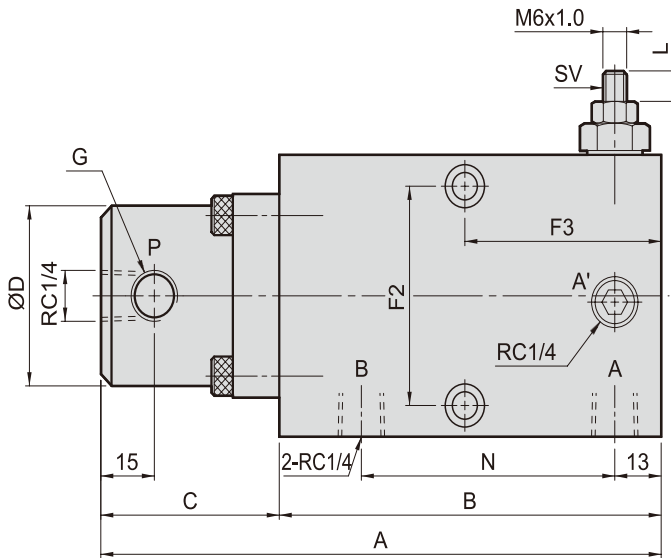
## ORDER INDICATION

JHB	9 x 6
Series	Spec. of booster
Hydraulic booster	Low output: Boost multiple x output (cc)
	9x6 5x10 3.5x15
	High output: Boost multiple x output (cc)
	8x22 5x35 3.8x45

## EXTERNAL DIMENSIONS

M6 length (mm)	7	6	5	4	3	2	1
Pressure (kgf/cm <sup>2</sup> )	20	25	30	35	40	45	50

↑ Factory set pressure 30kgf/cm<sup>2</sup>



Spec. of booster	Low output			High output		
	9x6	5x10	3.5x15	8x22	5x35	3.8x45
Booster multiple	9	5	3.5	8	5	3.8
High pressure output (cc)	6	19	15	22	35	45
<b>A</b>	157			210		
<b>B</b>	107			139		
<b>C</b>	50			71		
<b>D</b>	46			58		
<b>E1</b>	58			82		
<b>E2</b>	72			95		
<b>F1</b>	43			62		
<b>F2</b>	56			80		
<b>F3</b>	55			70		
<b>H</b>	7			9		
<b>K</b>	7			9		
<b>M</b>	11			14		
<b>N</b>	71			96		
<b>G</b>	RC 1/4	RC 1/8		RC 1/4		

Tie-rod Hydraulic Cylinder

Mold Hydraulic Cylinders

Swivel & Clamp Hydraulic Cylinders

Booster Cylinders & Unclamping cylinders

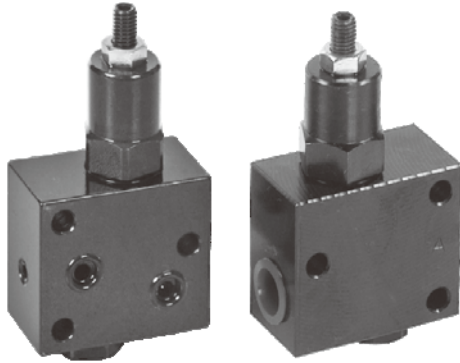
ISO Specifications Cylinders

Round Hydraulic Cylinders

Specific Hydraulic Cylinders

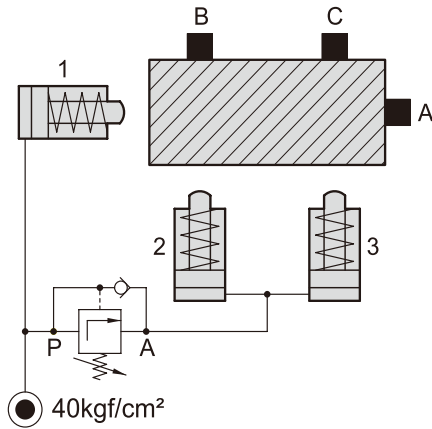
Systems & Fittings

**JLSV LOW-PRESSURE SEQUENCE VALVE**

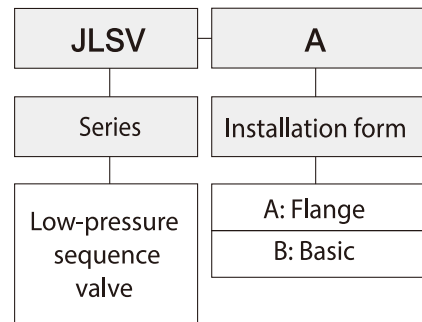


- Applicable to the fixture circuit, the action sequence of multiple cylinders is determined by the preset pressure
- Installation form: A- flange  
B- basic
- Preset pressure 10-70kgf/cm<sup>2</sup>

**CIRCUIT DIAGRAM**

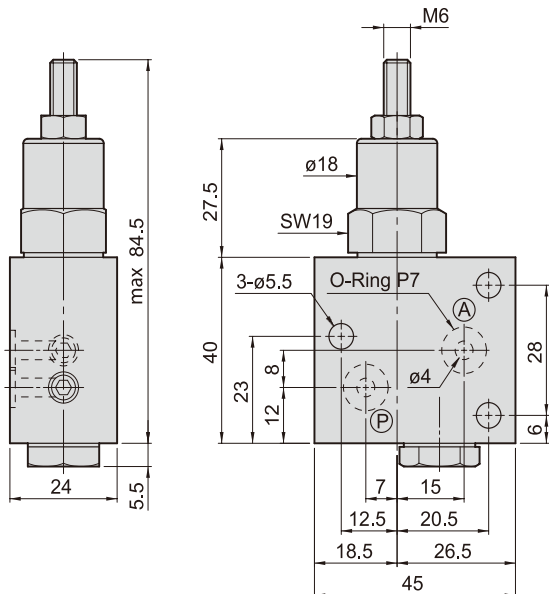


**ORDER INDICATION**

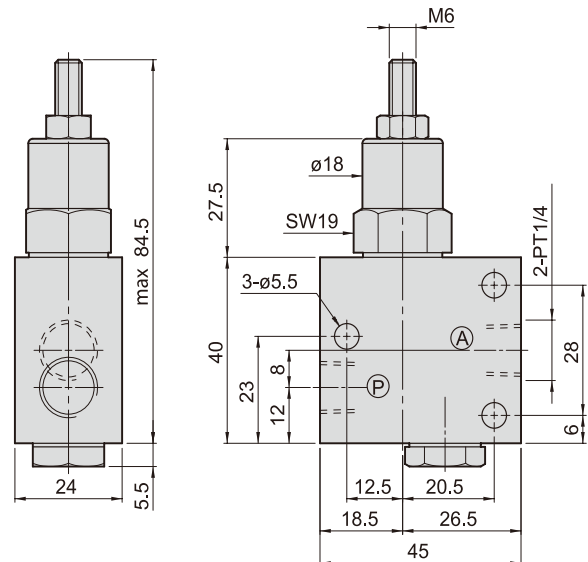


**EXTERNAL DIMENSIONS**

- A Flange

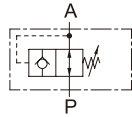


- B Basic





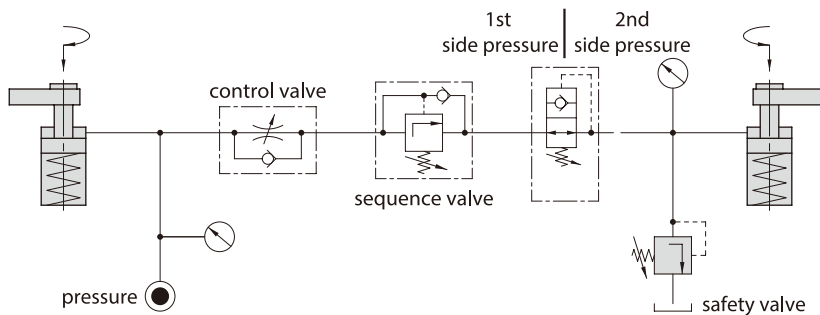
## JPRV PRESSURE REDUCING VALVE



## ORDER INDICATION

JPRV	A	02	1
Series	Installation form	Bore	Pressure range
Pressure reducing valve	A: Flange B: Basic	02:Rc1/4	1 5-50kgf/cm <sup>2</sup>
			2 10-50kgf/cm <sup>2</sup>
			3 20-120kgf/cm <sup>2</sup>
			4 30-240kgf/cm <sup>2</sup>
			5 50-380kgf/cm <sup>2</sup>

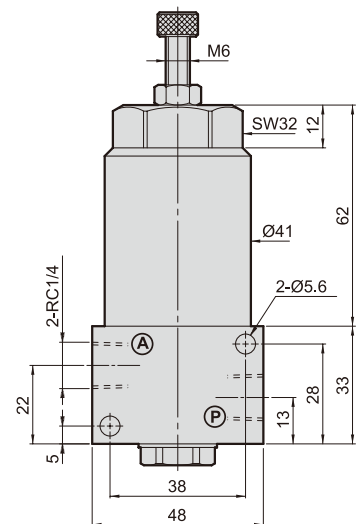
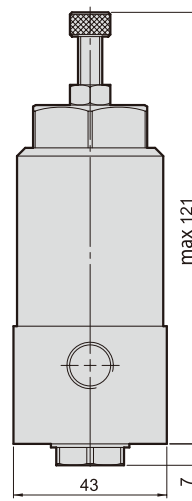
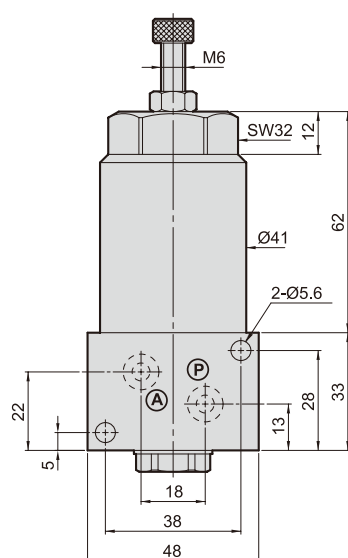
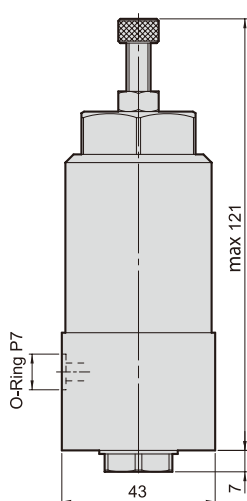
## CIRCUIT DIAGRAM



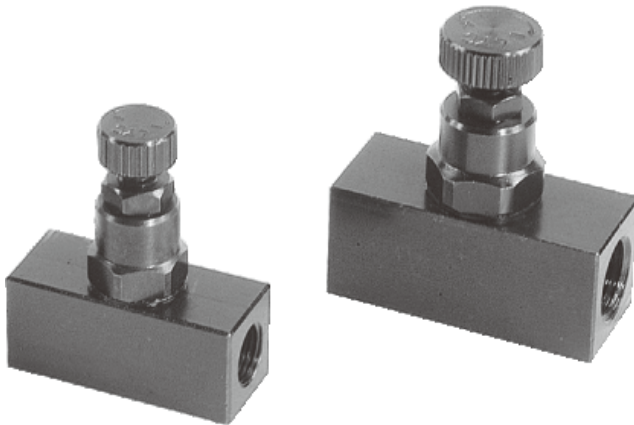
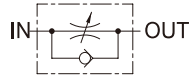
## EXTERNAL DIMENSIONS

- A Flange

- B Basic



## JFCV FLOW CONTROL VALVE



## ORDER INDICATION

JFCV	01
Series	Bore
Flow control valve	01:Rc1/8
	02:Rc1/4

Tie-rod Hydraulic Cylinder

Mold Hydraulic Cylinders

Swivel & Clamp Hydraulic Cylinders

Booster Cylinders & Unclamping cylinders

ISO Specifications Cylinders

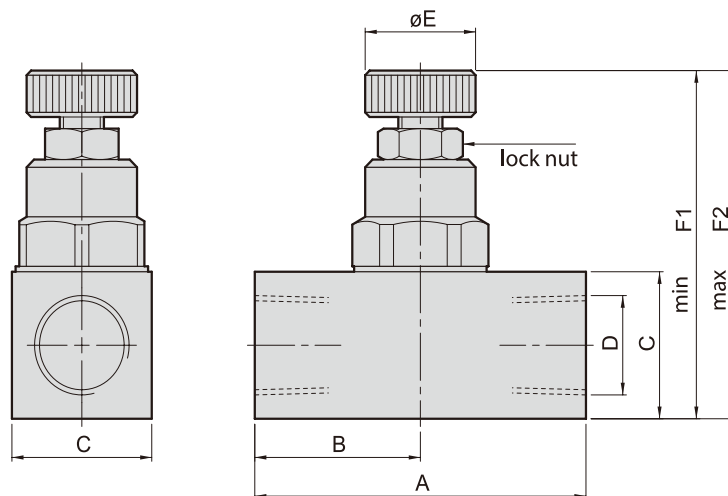
Round Hydraulic Cylinders

Specific Hydraulic Cylinders

Systems & Fittings

## EXTERNAL DIMENSIONS

- Max. working pressure 210kgf/cm<sup>2</sup>



Symbol	A	B	C	D	E	F1	F2
JFCV-01	35	19	15.9	Rc1/8	12	41	44.5
JFCV-02	45	22.5	19	Rc1/4	15	45	48.5